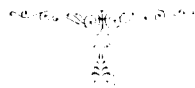


SINGER
45K68,K69,K71

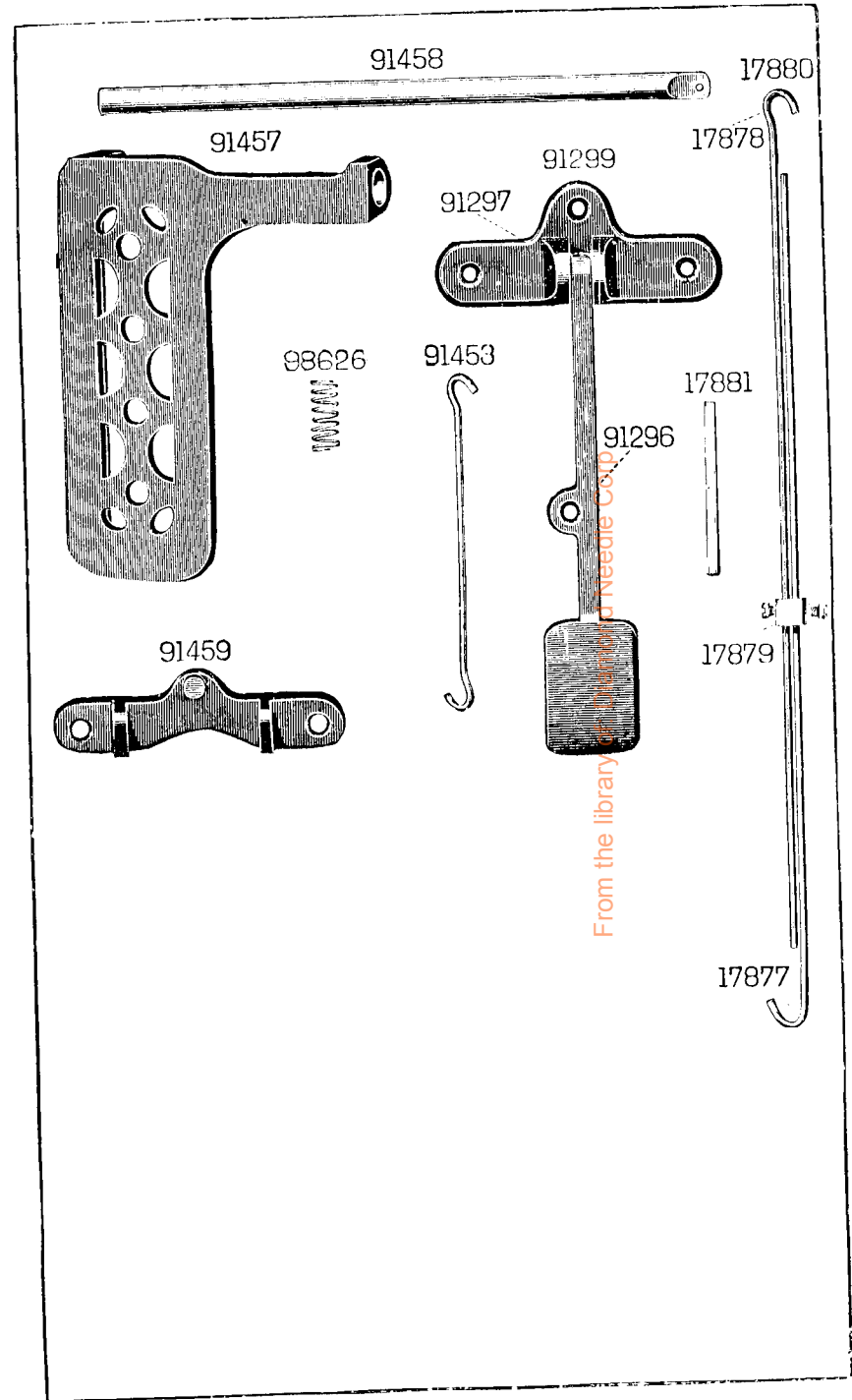
Form K5956
(Supersedes K3351)

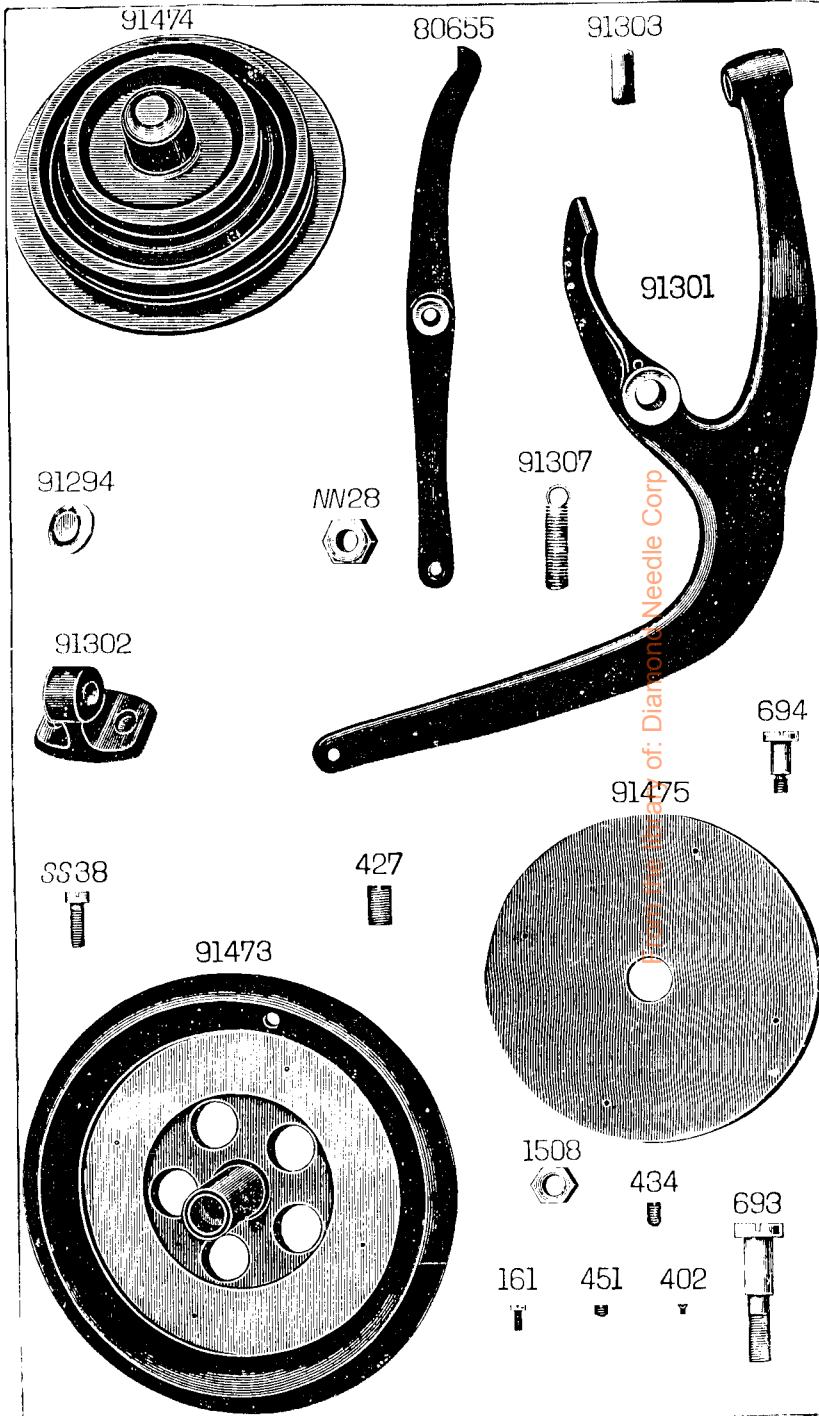
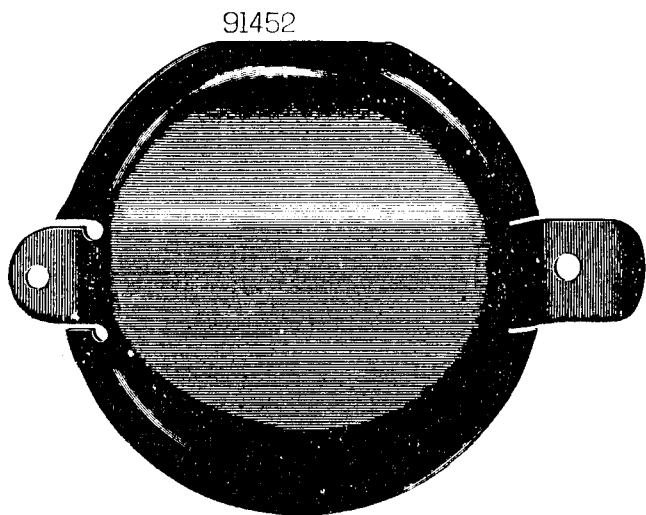
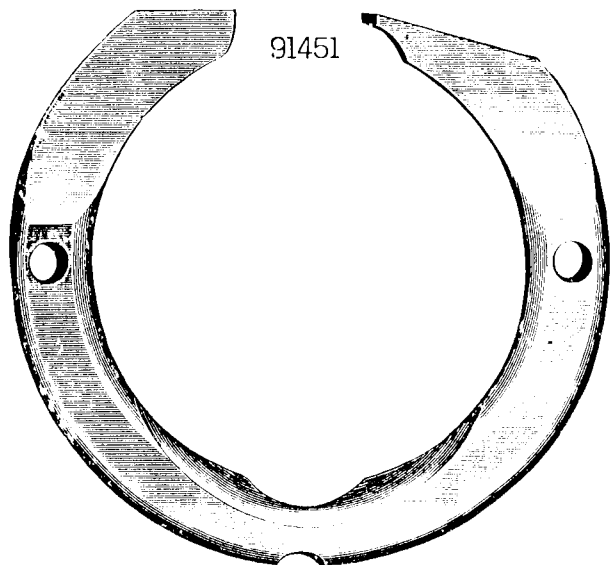
ILLUSTRATED
LIST OF PARTS
FOR
Nos. 45K68, 45K69
and 45K71 Machines

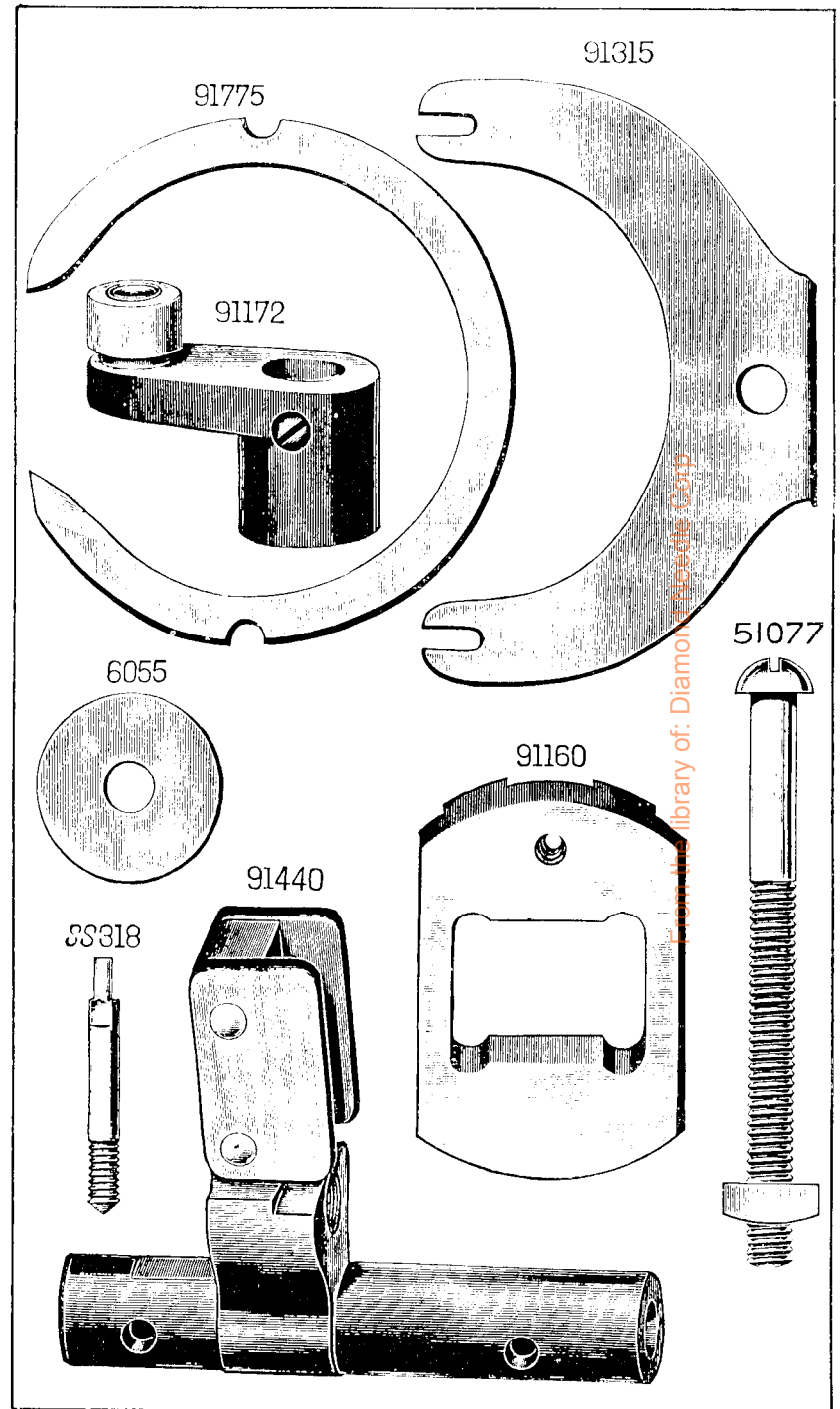
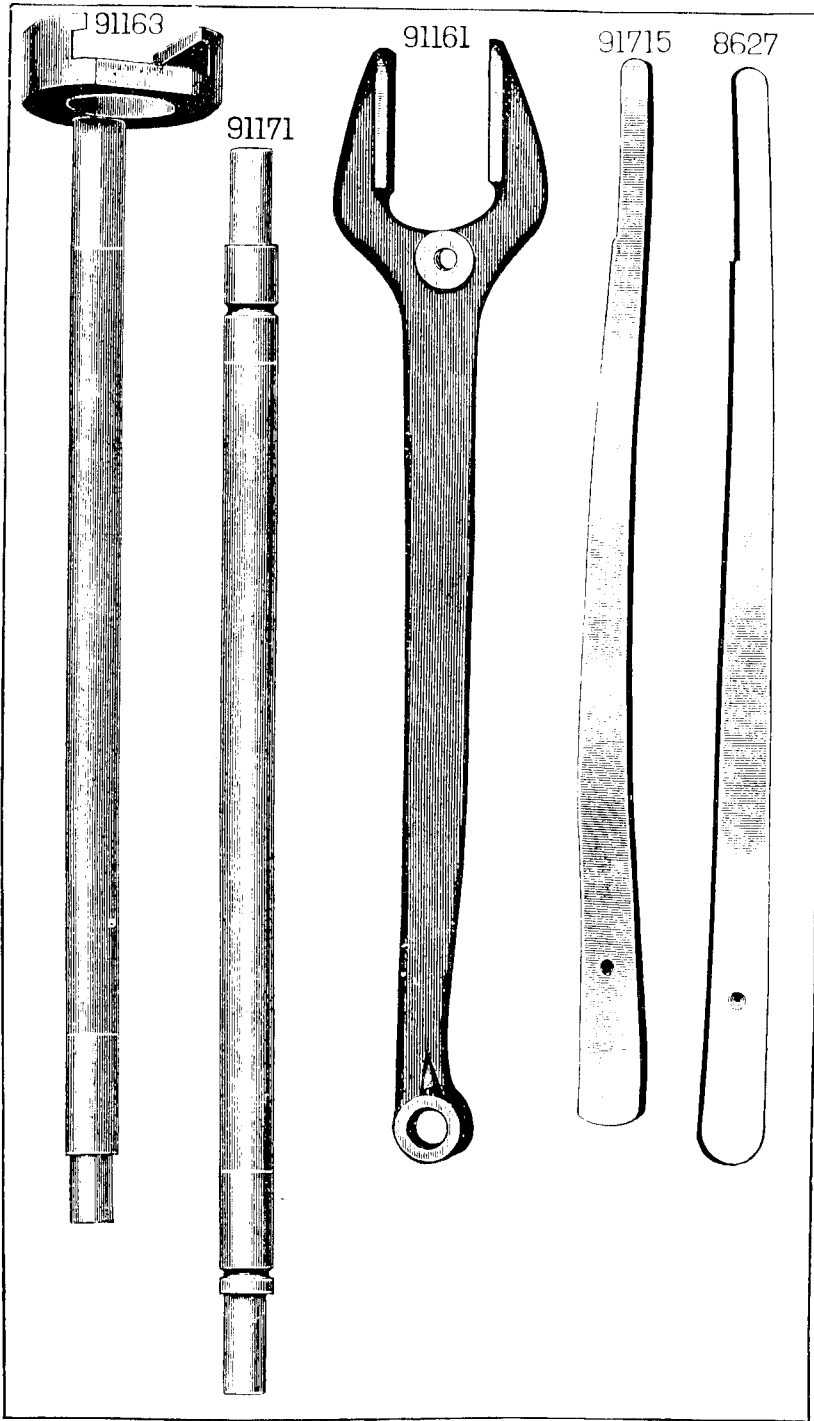


**A TRADE MARK OF
THE SINGER MANUFACTURING COMPANY

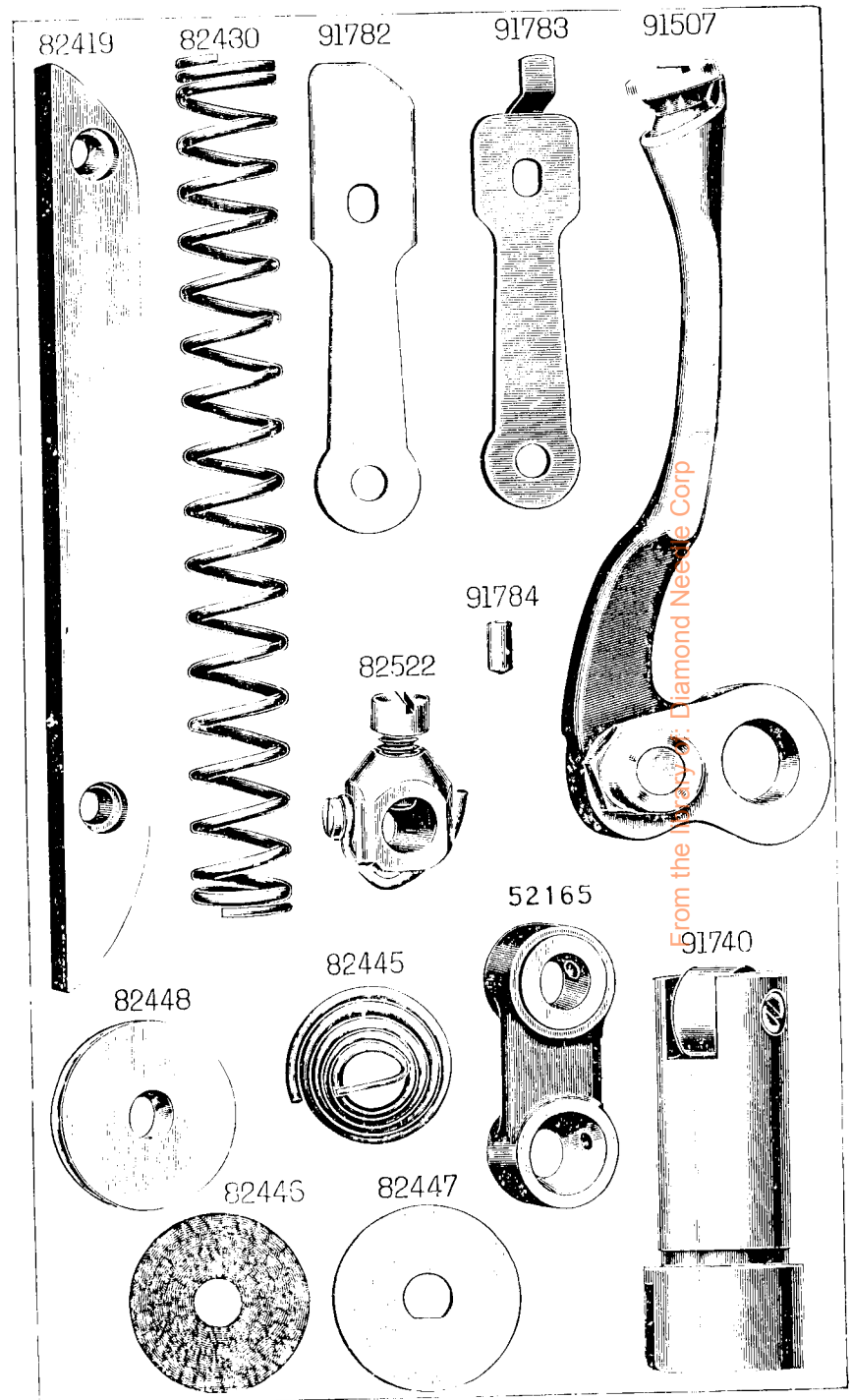
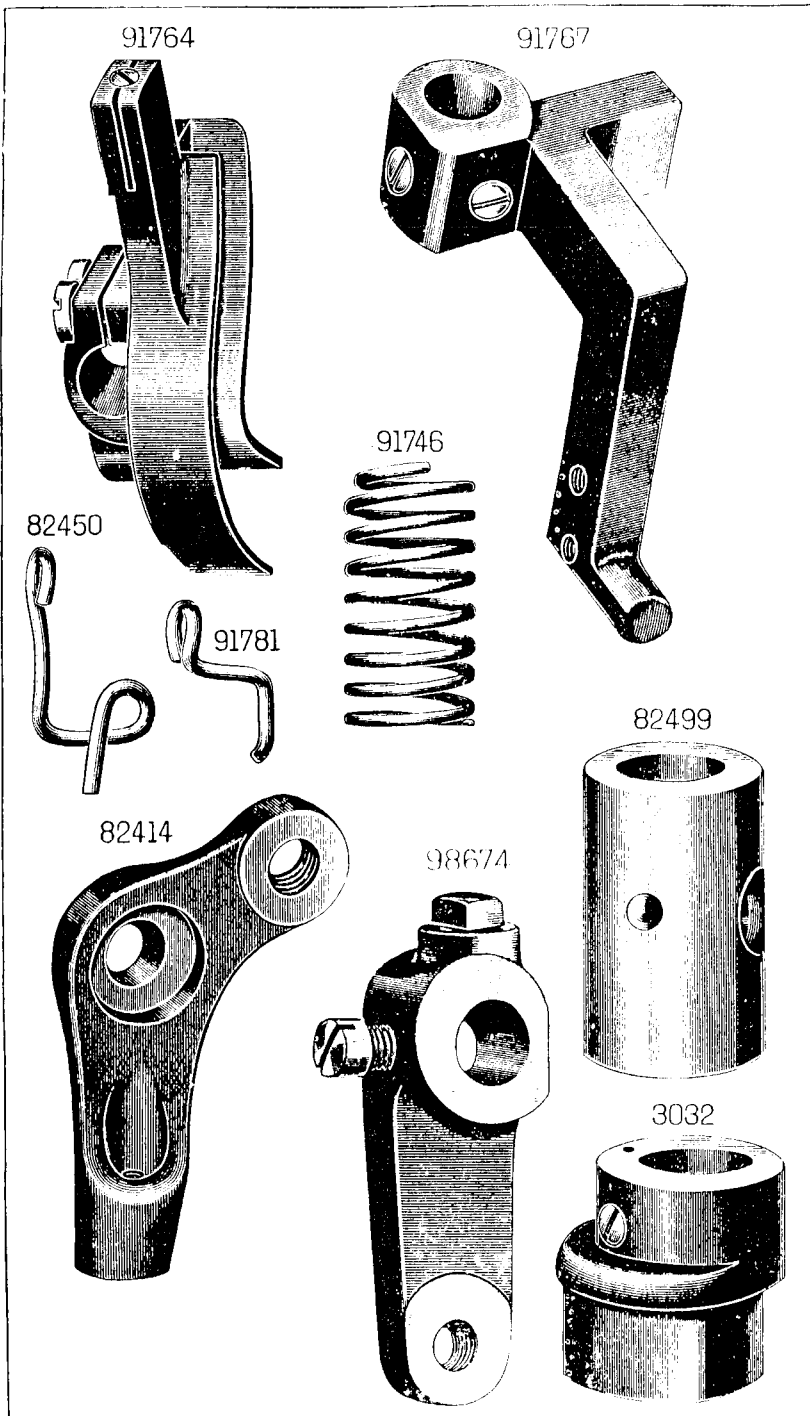
From the library of: Diamond Needle Corp

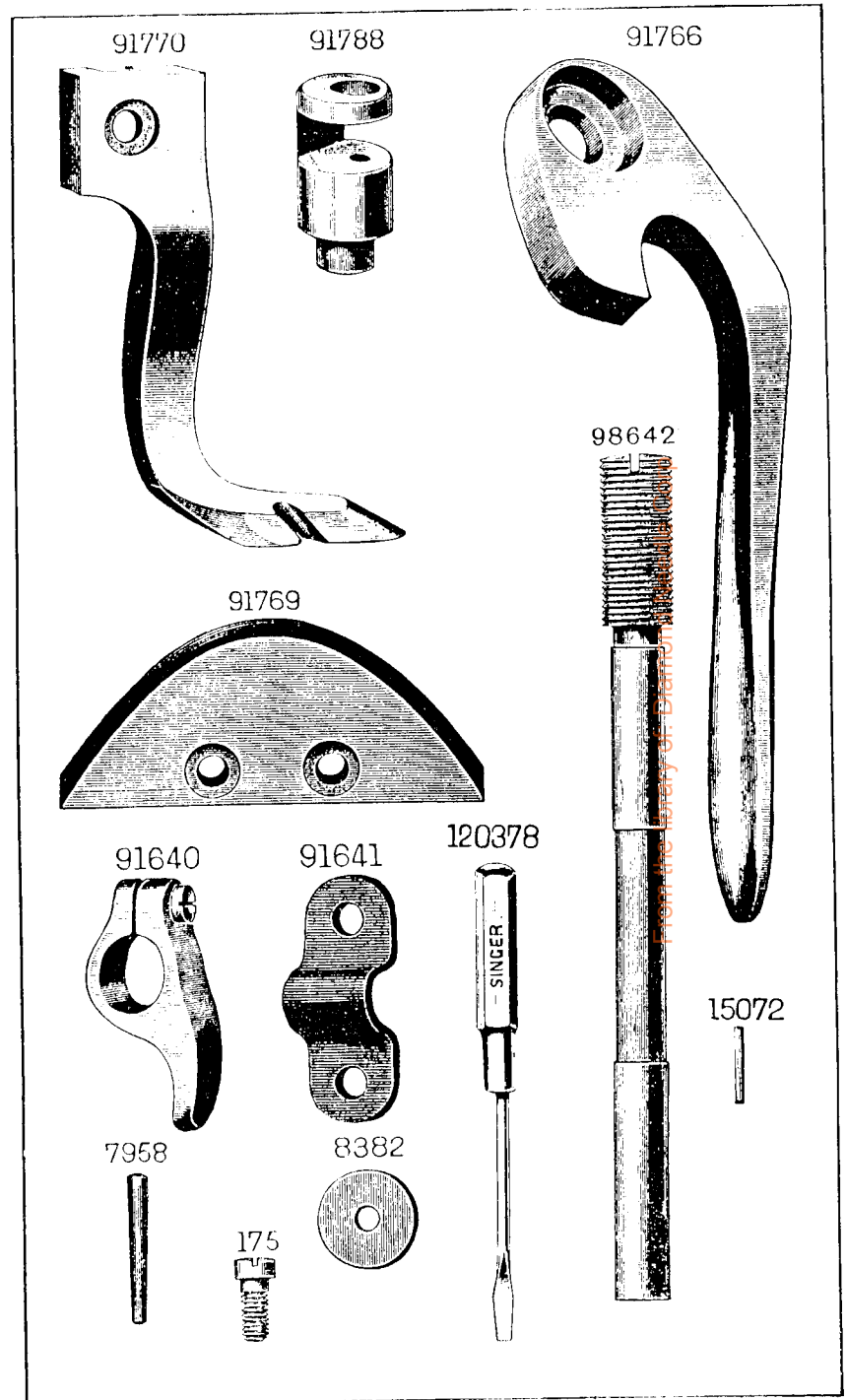
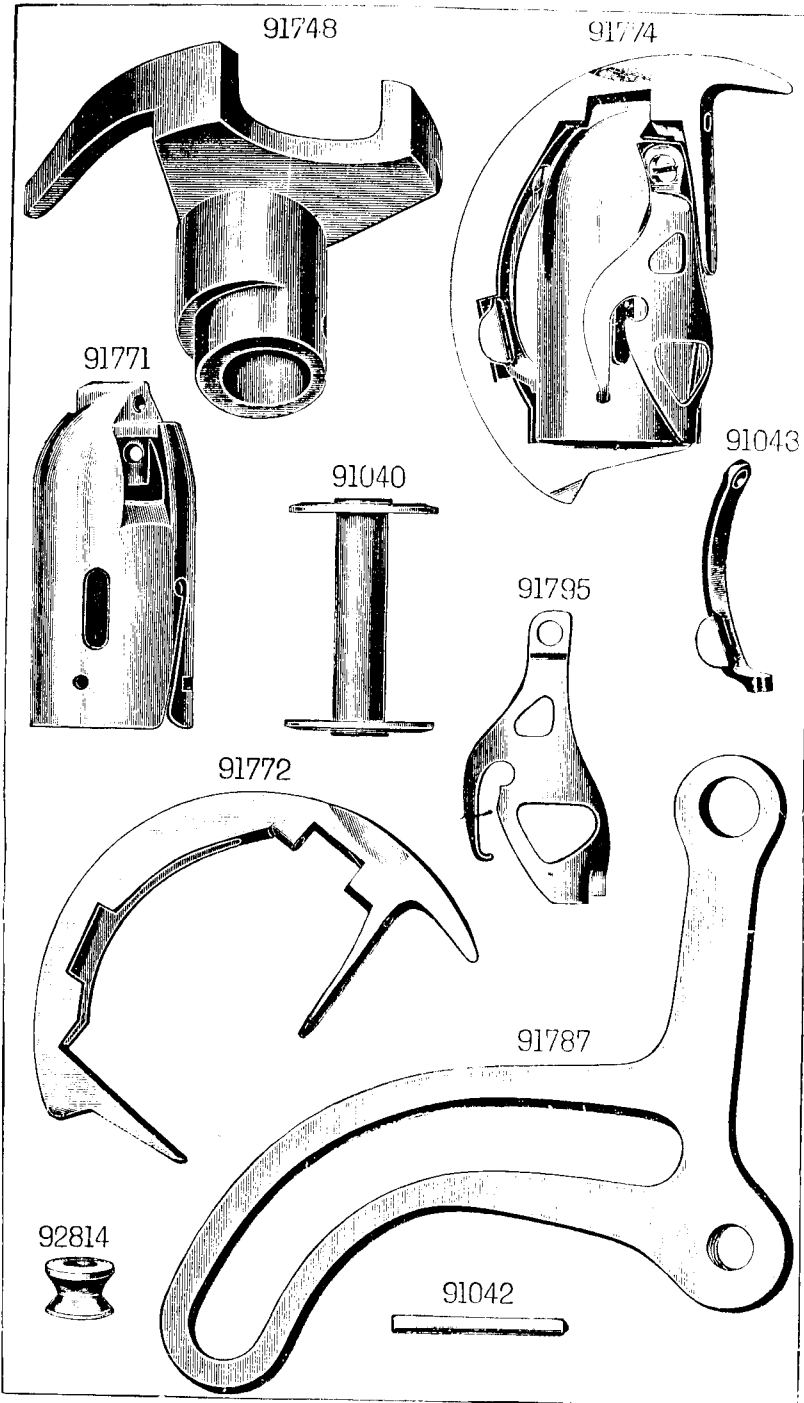


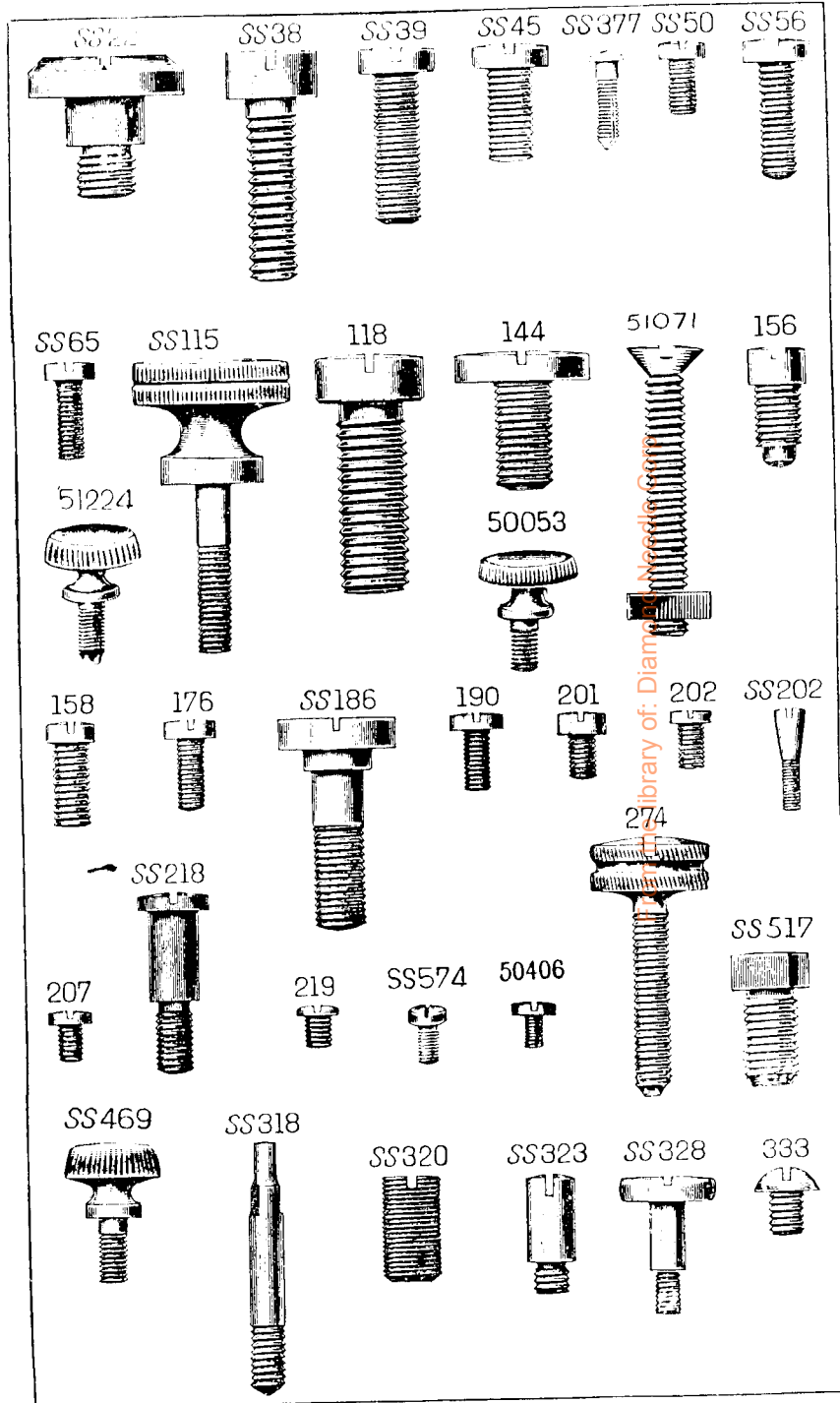
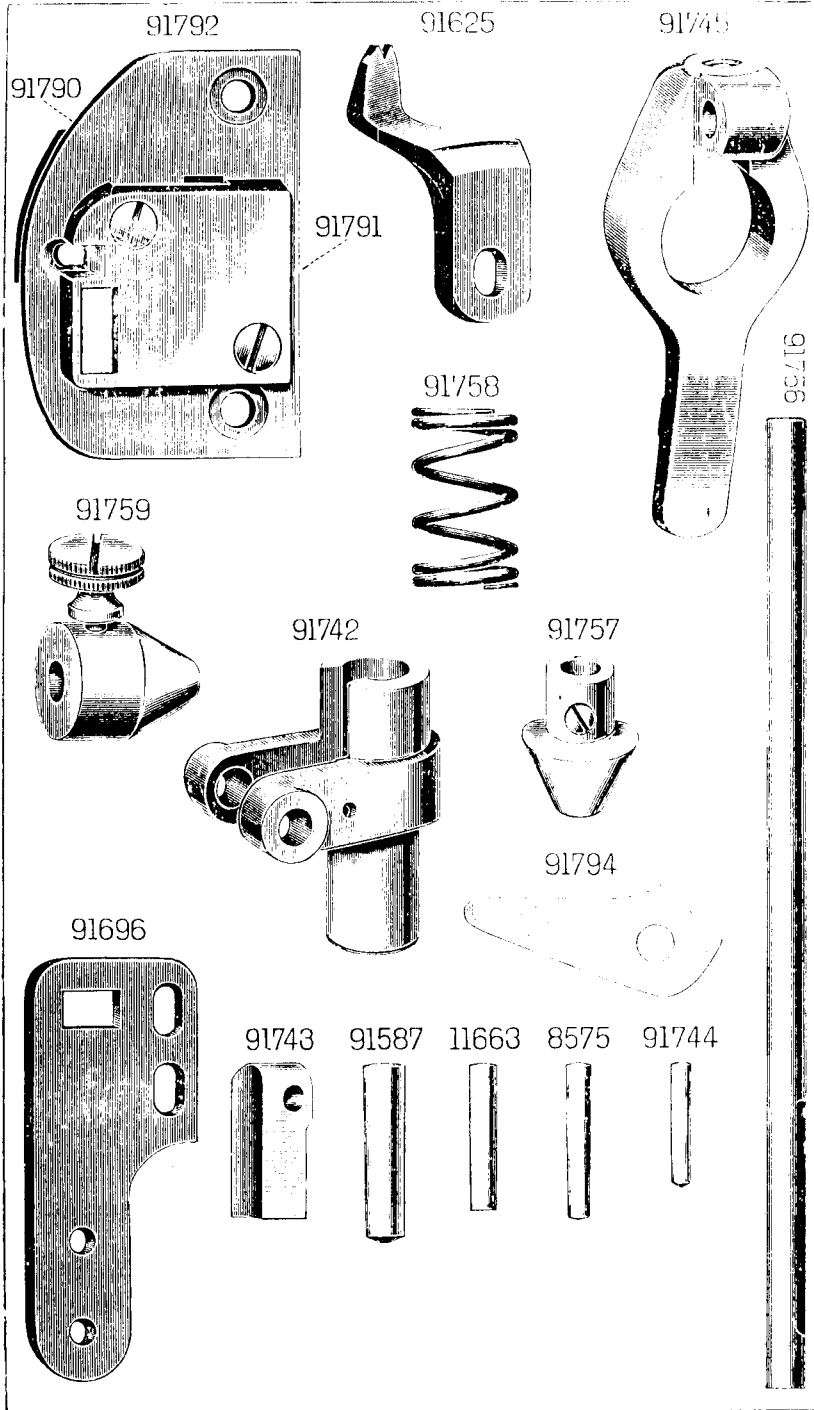


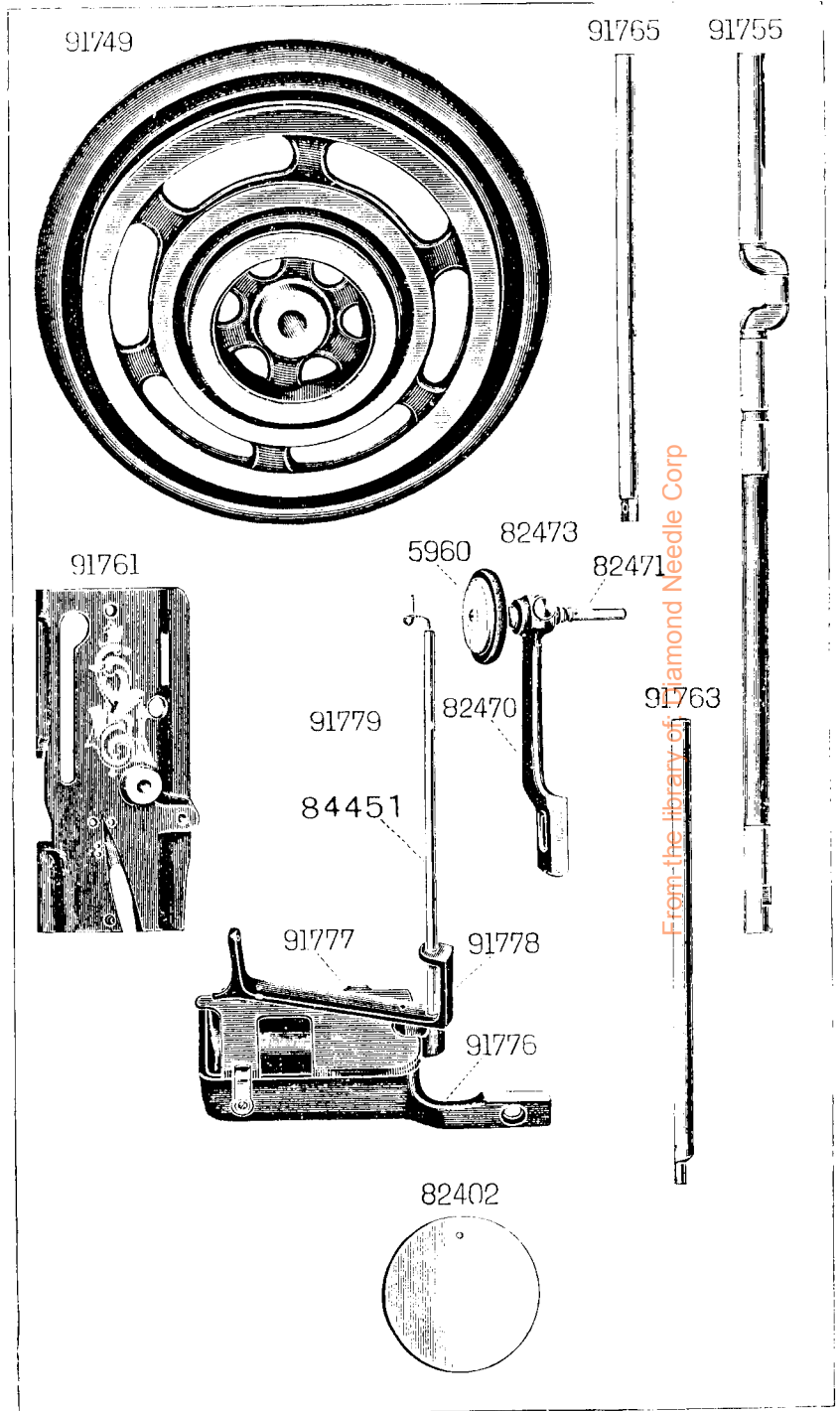
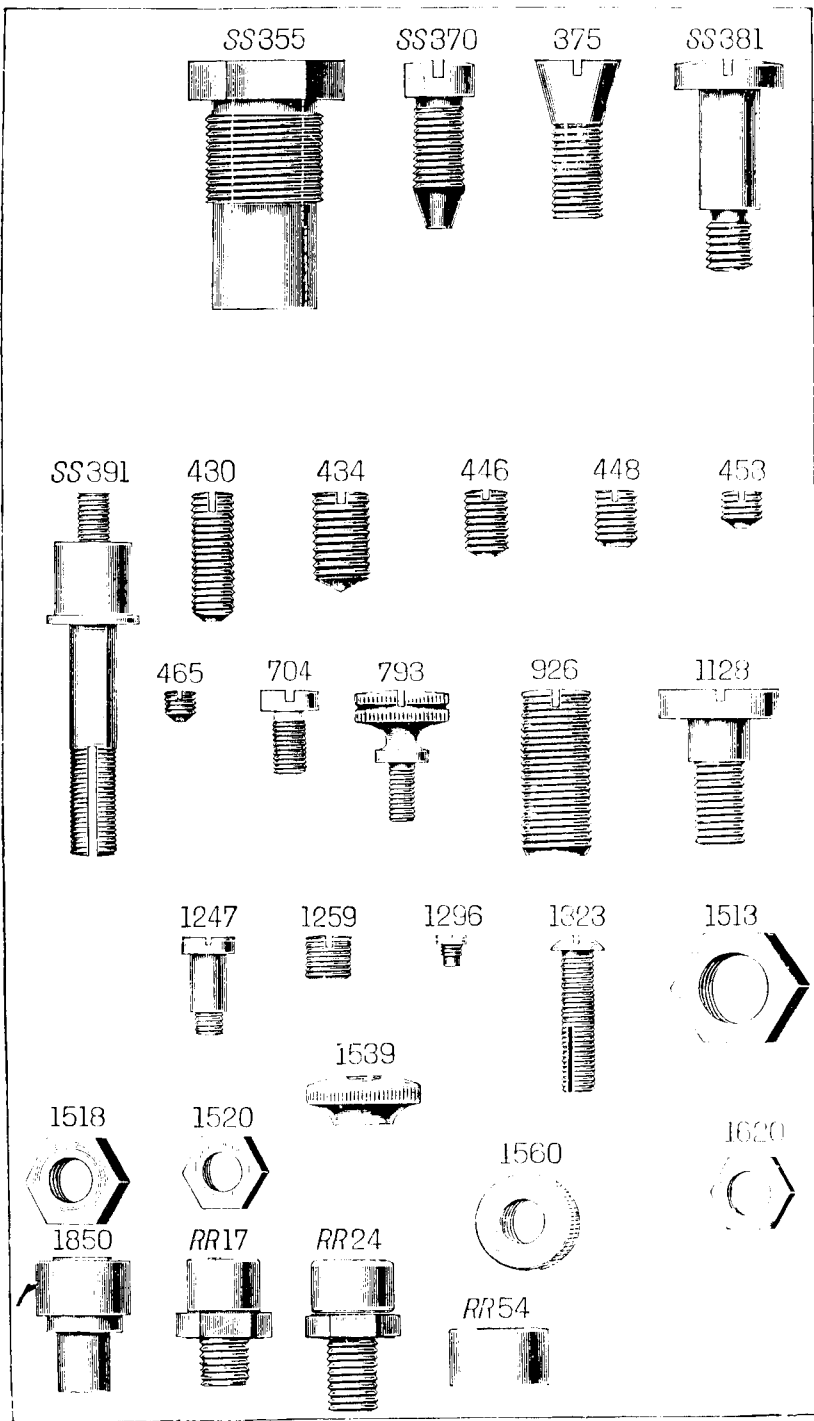


From the library of: Diamond & Drivels (2017)

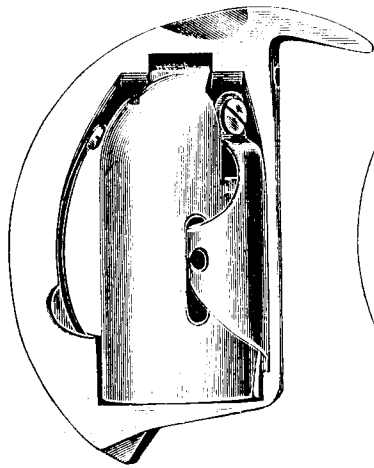




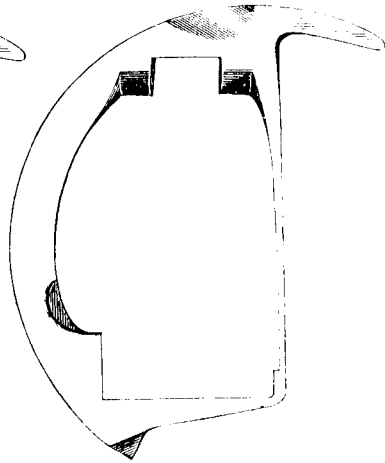




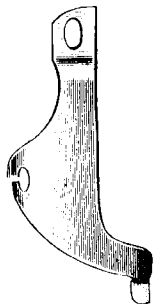
95084



95082



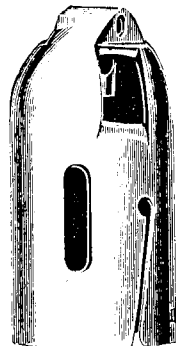
95083



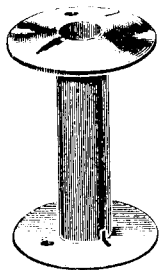
95081



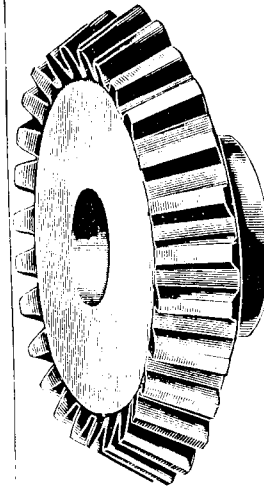
95080



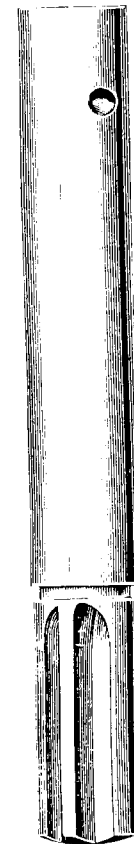
95093



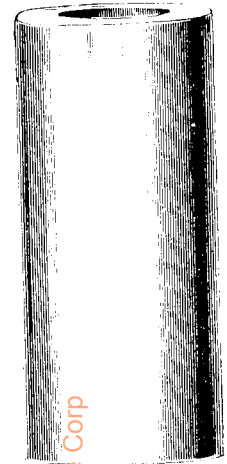
95176



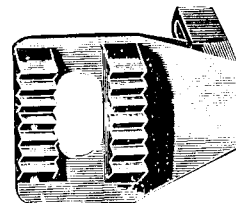
95177



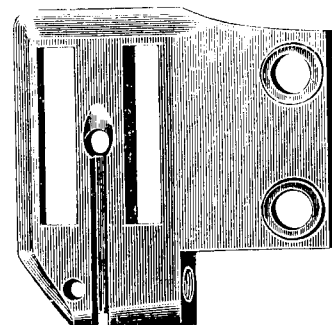
95178



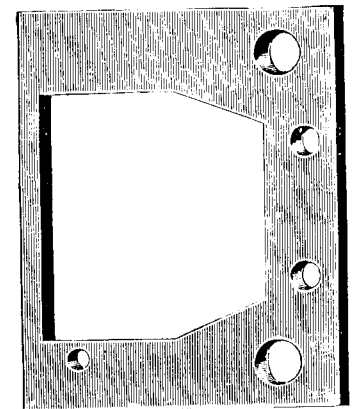
95101



95110

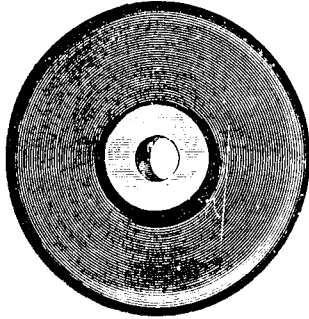


95114

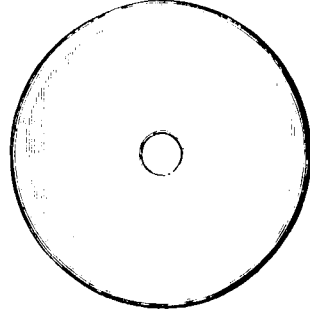


From the library of: Diamond Needle Corp

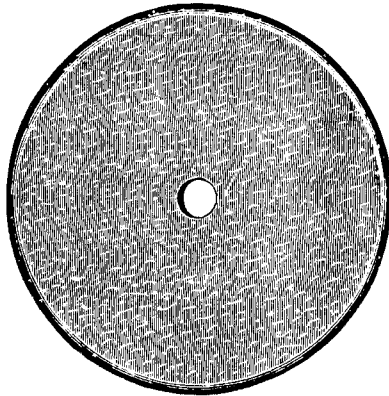
5963



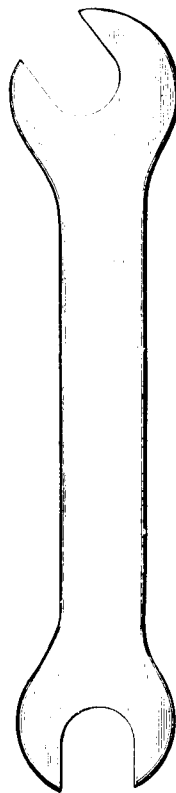
5961



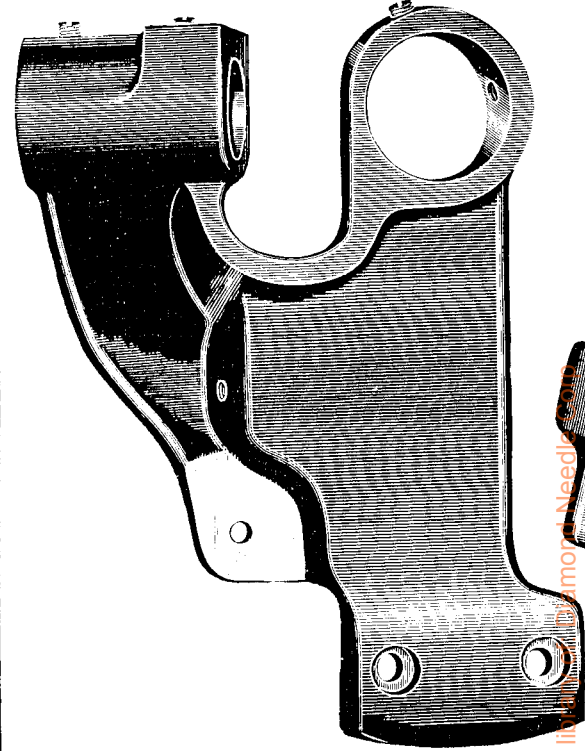
5960



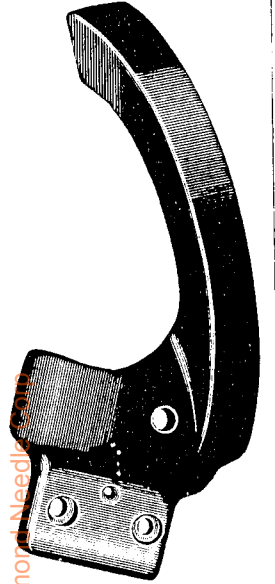
8908



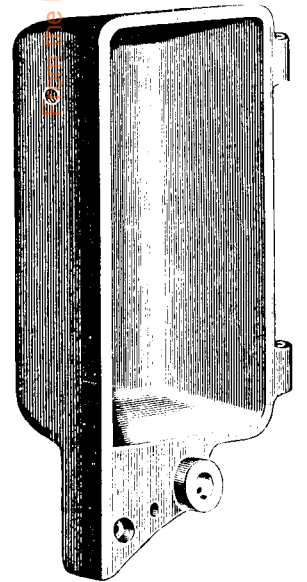
95179



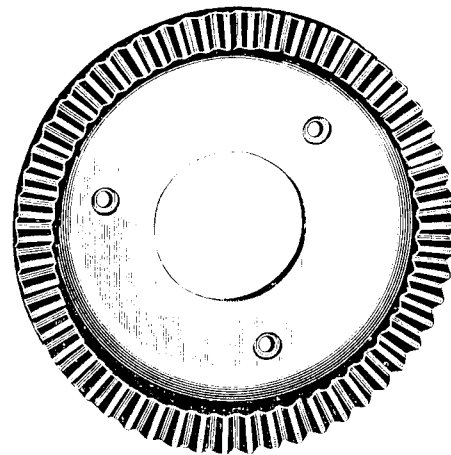
95180

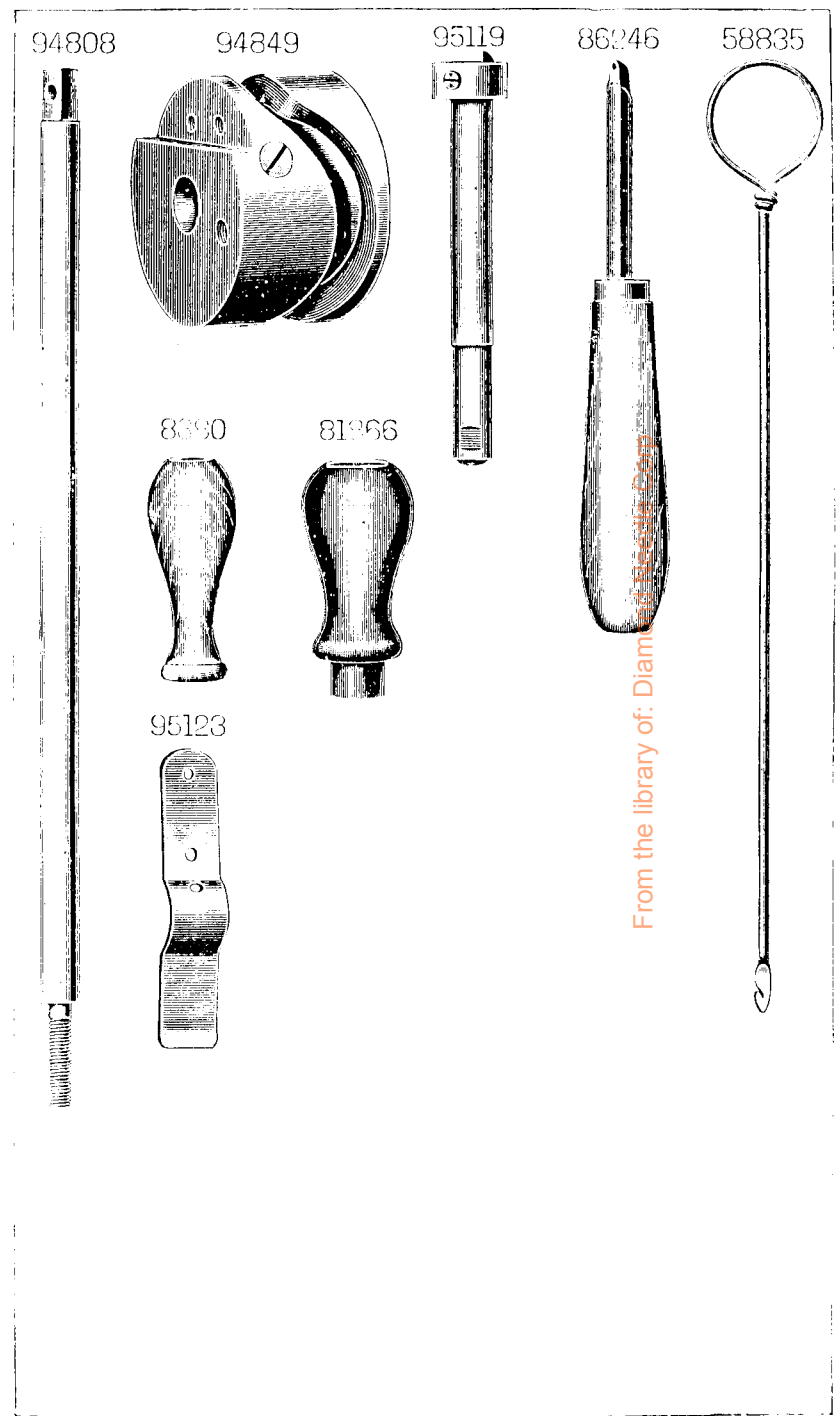
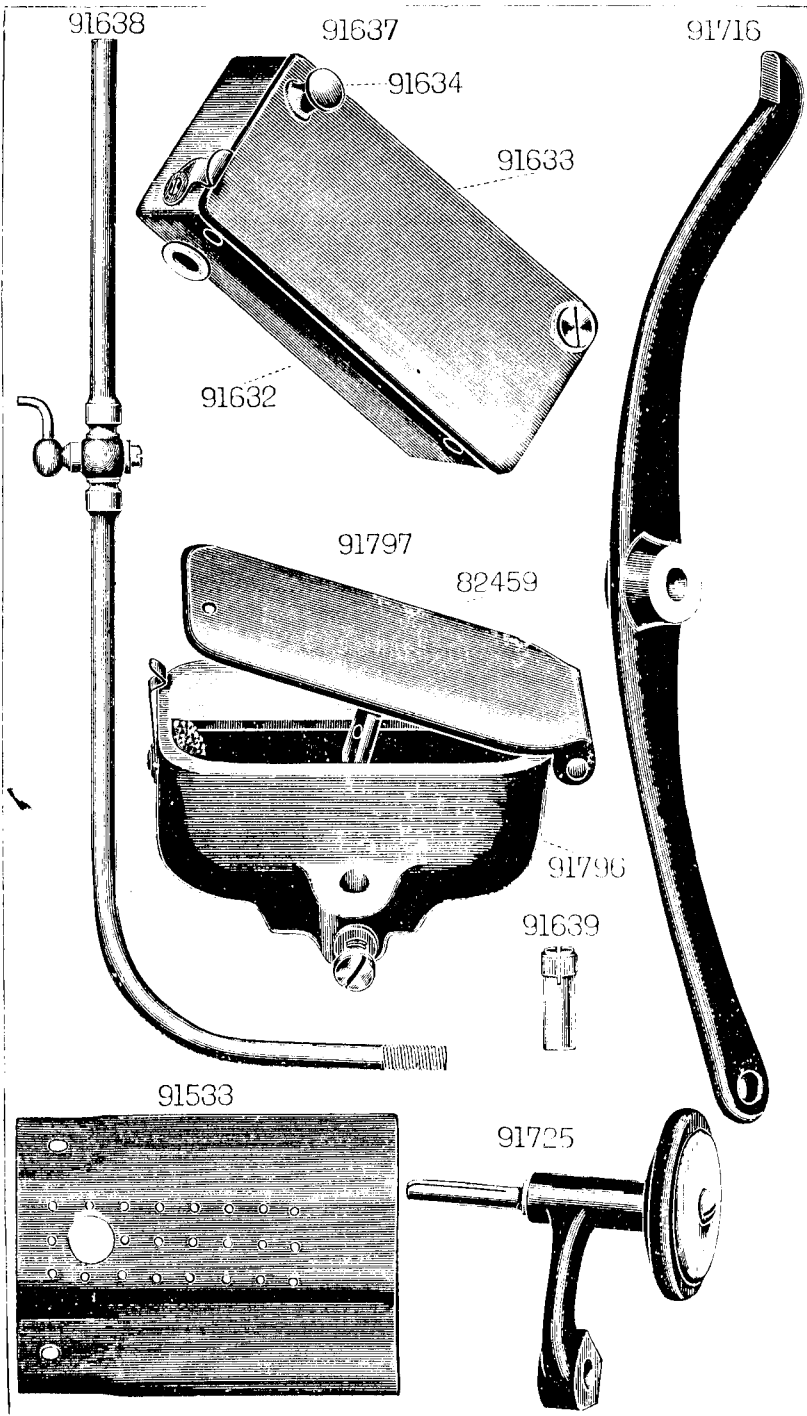


95181

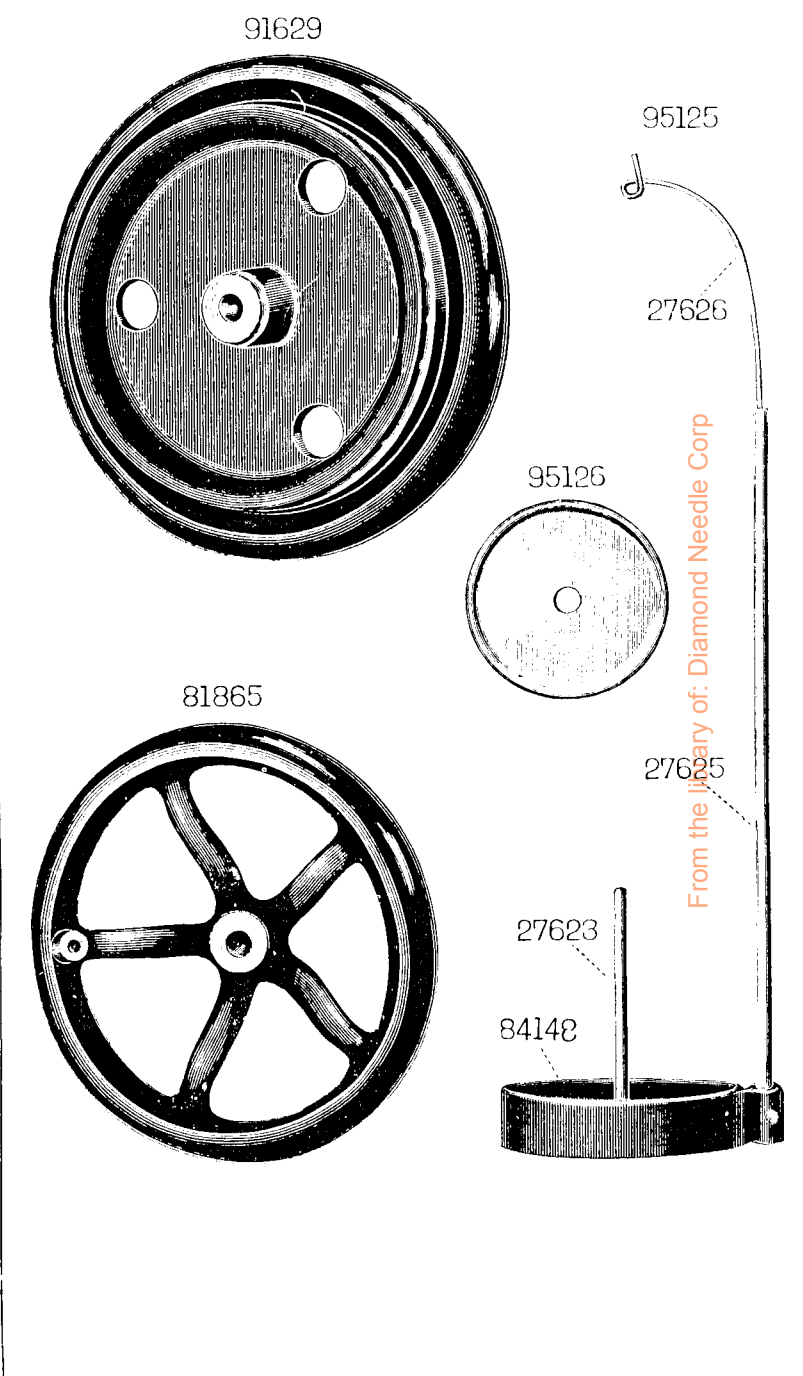
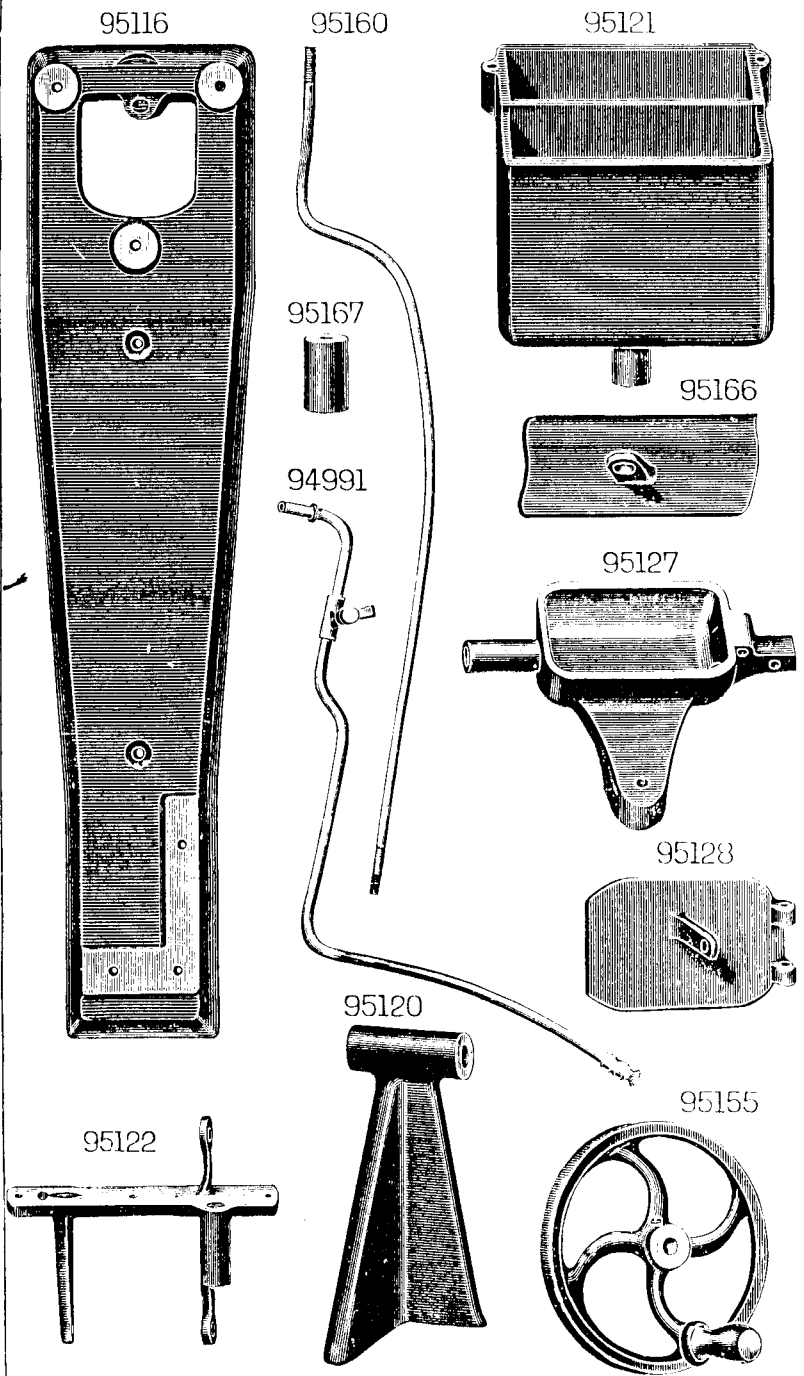


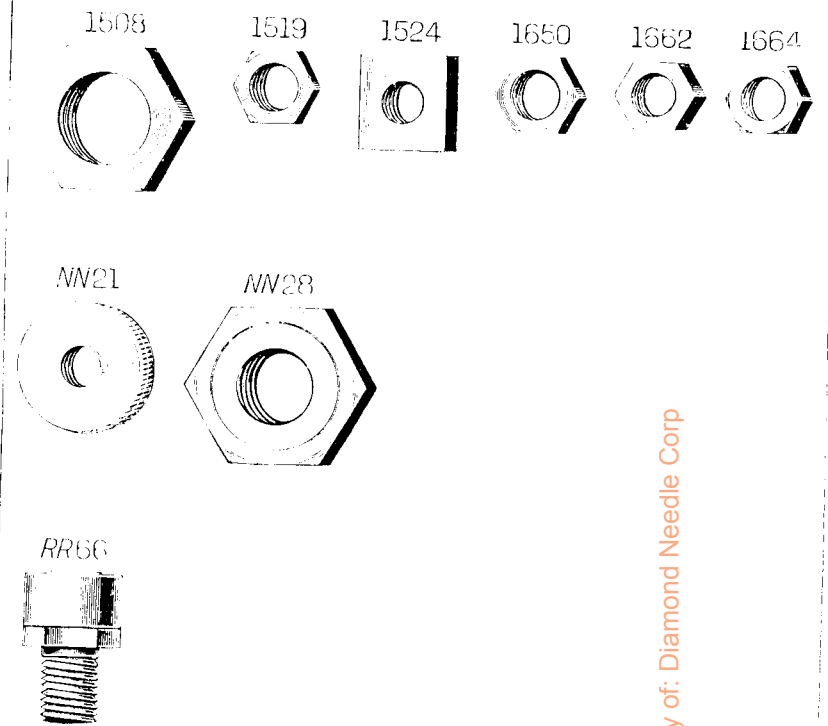
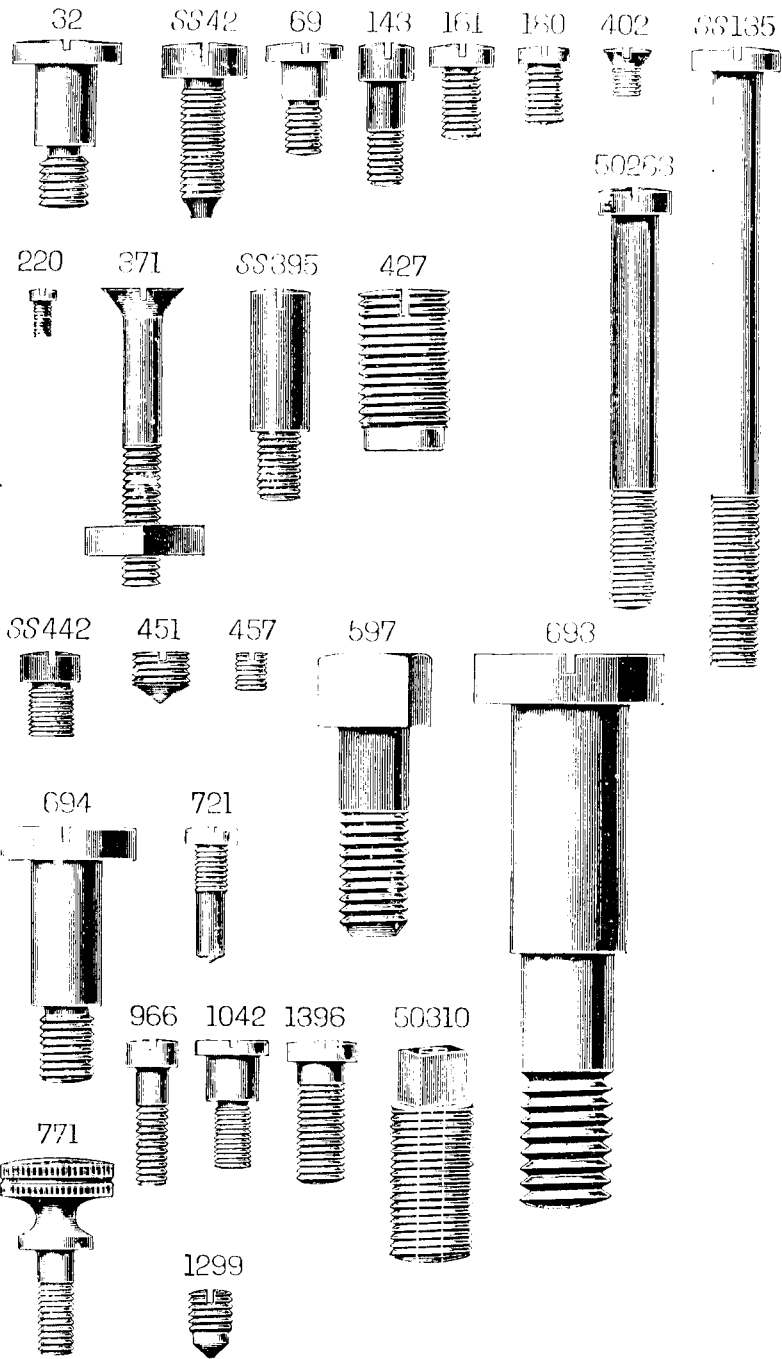
95173



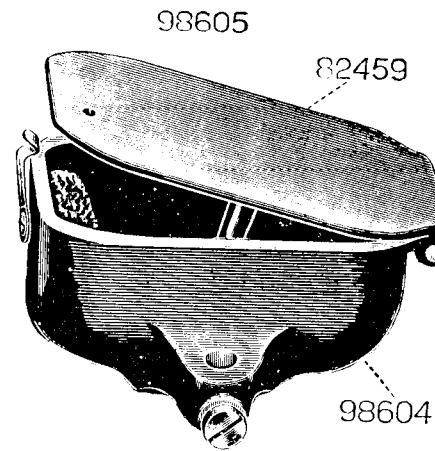
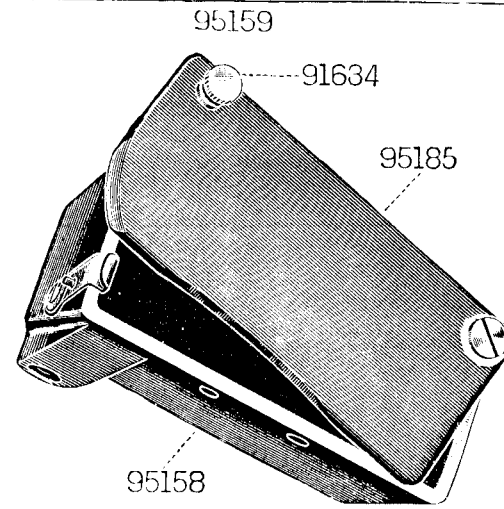
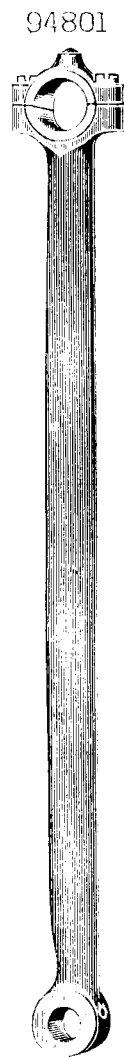
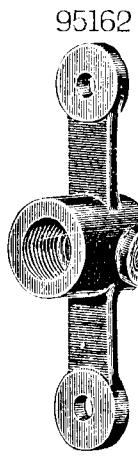


From the library of: [Diam. of Industry.com](http://www.industry.com)



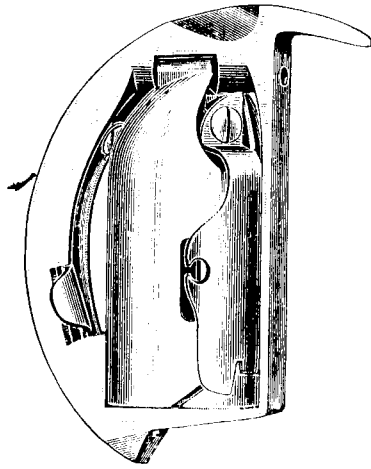


From the library of: Diamond Needle Corp

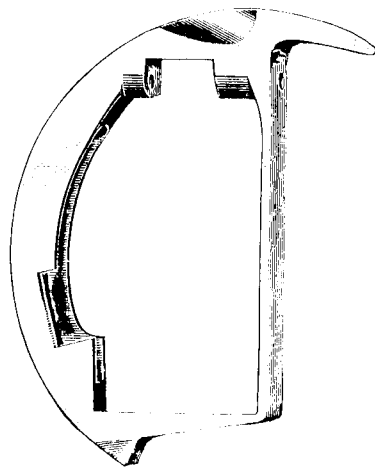


From the library of: Diamond Needle Corp

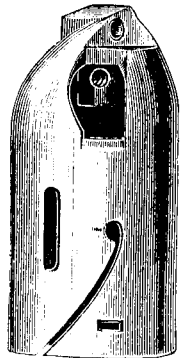
95096



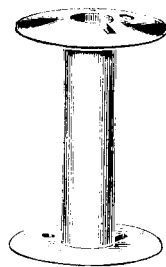
95186



95094



95093



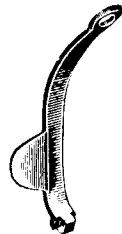
95095



91042



91043



SS377



86511



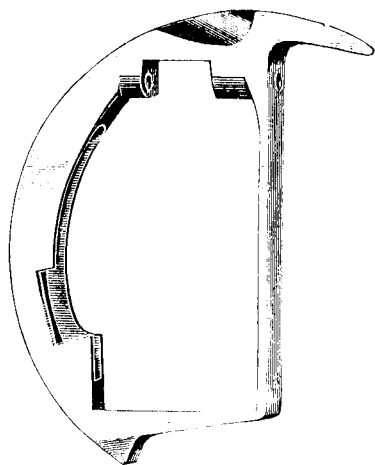
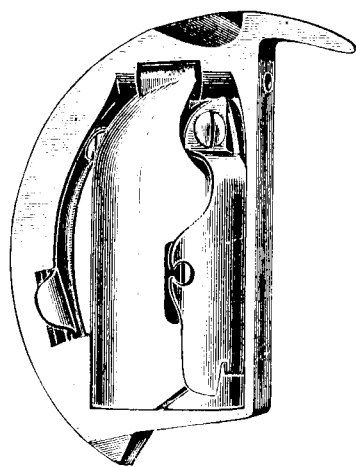
120342



From the library of: Diamond Needle Corp

98622

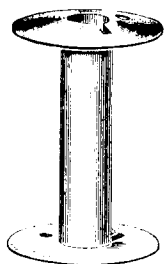
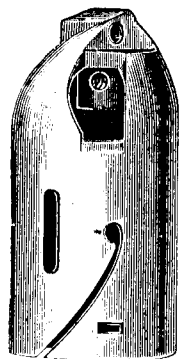
98619



95094

95093

95095



91042

91043

SS377

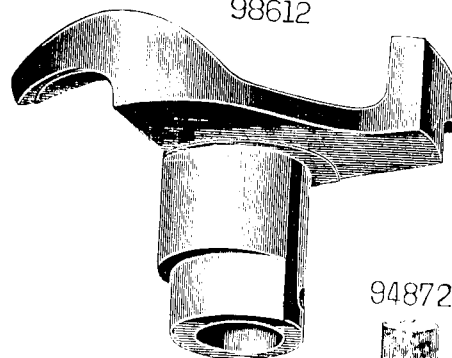
233



98612

98627

98614

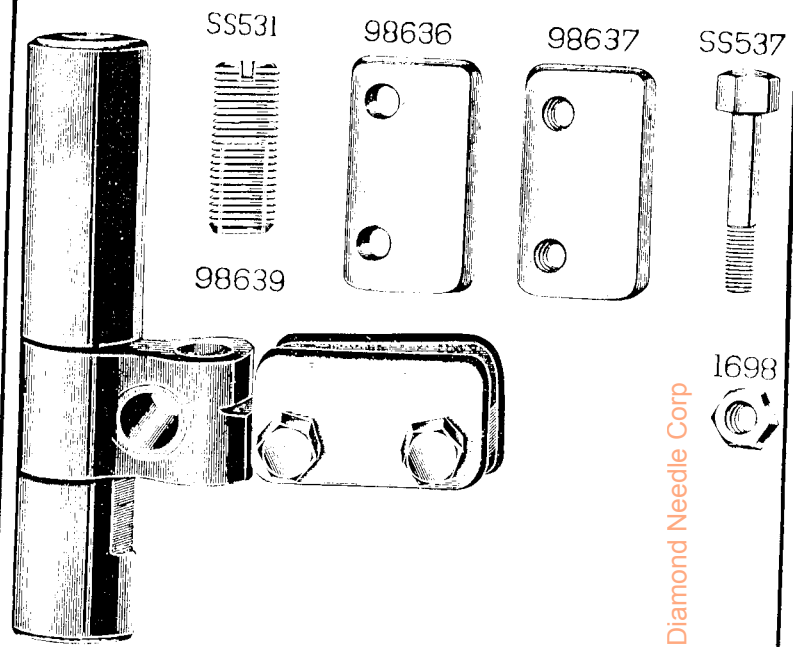
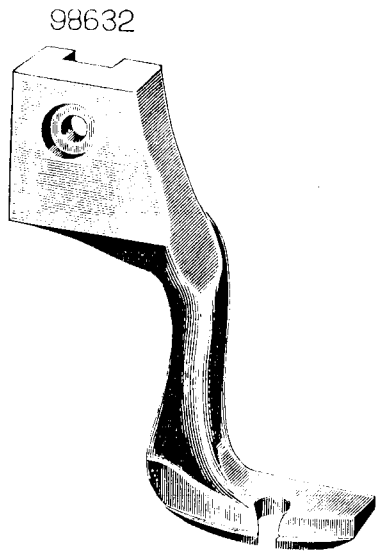


94872

1668



From the library of: Diamond Needle Co.



From the library of: Diamond Needle Corp

INSTRUCTIONS FOR ORDERING

In ordering from this List, the prefix and affix letters with the part number **MUST BE** quoted exactly as they are shown in the first column.

A number always indicates the same part in whatever List it may appear, or for whatever machine.

The affix letters (where shown) indicate the style of finish, as follows:—

- A. Hardened, Polished, Nickel Plated and Buffed.
- A.A. Buffed and Chromium Plated.
- A.B. Hardened, Polished, Buffed and Chromium Plated.
- A.C. Brown Baking Enamel Finish.
- A.D. Grey Baking Enamel Finish.
- A.E. Hardened, Bright Rumbled and Nickel Plated.
- A.F. Hardened, Bright Rumbled and Nickel Plated, Bright Rumbled and Chromium Plated.
- A.J. Polished, Nickel Plated and Chromium Plated.
- A.K. Hardened, Polished, Nickel Plated and Chromium Plated.
- A.L. Heat Treated for Toughness.
 - B. Polished, Nickel Plated and Buffed.
 - C. Hardened only.
- C.R. Hardened and Merlized.
 - D. Polished only.
 - E. Soft, not Polished.
 - F. Hardened and Polished.
- F.J. Hardened, Polished and Nickel Plated.
- G. Bright Rumbled and Nickel Plated.
- H. Blued.
- J. Nickel Plated only.
- K. Hardened and Nickel Plated.
- L. Brass Plated.
- M. Oxidized.
- N. Japanned, Dull.
- P. Japanned, Bright.
- P.P. Wrinkle Finish.
- R. Merlized.
- S. Cadmium Plated.
- T. Copper Plated.
- T.A. Hardened, Polished, Copper and Nickel Plated and Buffed.
- T.B. Copper and Nickel Plated and Polished.
- T.J. Copper and Nickel Plated only.
- T.K. Hardened, Copper and Nickel Plated.
- T.L. Copper and Brass Plated.
- T.M. Copper Plated and Oxidized.
- U. Zinc Plated.
- V. Silver Plated.
- W. Polished and Nickel Plated.
- X. Black Oxide for Iron and Steel.
- X.C. Hardened and Black Oxide for Iron and Steel.
 - Y. Black Nickel Plated only.
 - Z. Chromium Plated.
- Z.A. Hardened, Polished, Nickel Plated, Buffed and Chromium Plated.
- Z.B. Polished, Nickel Plated, Buffed and Chromium Plated.
- Z.C. Hardened and Chromium Plated.
- Z.D. Polished and Chromium Plated.
- Z.G. Bright Rumbled, Nickel Plated, Bright Rumbled and Chromium Plated.
- Z.J. Nickel and Chromium Plated.
- Z.T. Copper and Chromium Plated.

Parts marked with an asterisk (*) are furnished only when the repairs are made at Factory.

PARTS COMPLETE FOR No. 45K68 MACHINE (OBSOLETE)

Drop Feed, Cylinder Bed, Needle Bar Cam, Compound Take-up
and High Lift. For Stitching Soles up to $\frac{3}{8}$ " in thickness.

No.	Plate				
*91754		Arm with 446c, 82499 and 82549
8582	1329	" Dowel Pin (2)
118e	1002	" Screw (3)
91755	1004	Arm Shaft
82499	997	" " Bushing (back)
82549	1329	" " " (front)
446c	1003	" " " Set Screw for 82499
82400	1329	" " Oil Tube
144c	1002	" " Screw
82402	1004	Arm Side Cover
51224d	1002	" " " Thumb Screw
91756	1001	Arm Spool Pin
91757	1001	" " " Lower Cone with 1296c
1296c	1003	" " " " " Set Screw
91758	1001	" " " " " Spring
91759	1001	" " " " " Upper Cone with 793d
793d	1003	" " " " " Thumb Set Screw
91760		Arm Spool Pin, complete, Nos. 91756 to 91759
91749	1004	Balance Wheel (three speed) with two 434c
91629	1336	" " with two 434c (for use in conjunction with Column Stands Nos. 94525 and 94543)
434c	1003	" " Set Screw
*91622		Bed
94801	1359	Crank Connecting Rod with 94802, 94872 and two 158c
*94802		" " " Cap
94872	1742	" " " " Oil Pad
158c	1002	" " " " Screw
98627	1742	" " " " Hinge Stud
98614	1742	" " " " " Cottar Pin
1668c	1742	" " " " " Nut

From the library of: Diamond Needle Corp

No.	Plate					
91761	1004	Face Plate
SS45d	1002	" " Screw (top)
158c	1002	" " " (bottom)
91762		Face Plate, complete, Nos. SS50f, 201d, 1323f, 82150, 91761 and 91780 to 91784
3032	997	Feed Cam with 446c
446c	1003	" " Set Screw
52165	998	Feed Connecting Link
375c	1003	" " " Hinge Screw (2)
1518c	1003	" " " " Nut (2)
91625	1001	Feed Dog
91160	996	" " Carrier
704c	1003	" " Screw
91161	881	Feed Forked Connection
375c	1003	" " " Hinge Screw
1518c	1003	" " " " Nut
82414	997	Feed Regulator
1128c	1003	" " " Hinge Screw
SS115d	1002	" " " Thumb Screw
*91162	...	Feed Rock Shaft
91163	881	" " " 91162 with 91165 and 91166
91565	...	" " " 91163 " 98674
91165	...	" " " Carrier Slide with 1259c
1259c	1003	" " " " Set Screw
91166	1329	" " " " Steady Pin
98674	997	" " " Crank with 156f and SS517c
SS517c	1002	" " " " Clamping Screw
156f	1002	" " " " Position Screw
91739		Lifting Presser Plunger
8575	1001	" " " Position Pin
RR54	1003	" " " Roller
SS323f	1002	" " " " Screw Stud
91740	998	Lifting Presser Plunger, complete, Nos. RR54, SS323f and 91739
91763	1004	Needle Bar
91764	997	" " Cam with SS202d and two 704c
SS202d	1002	" " " Adjusting Screw
704c	1003	" " " Clamping Screw
82419	998	" " " Guide
158c	1002	" " " " Screw (2)
RR66	1338	" " " Roller and Screw Stud

No.	Plate					
82520		Needle Clamp
156f	1002	" " Screw
82521	...	" " Thread Guide
50406d	1002	" " " " Screw
82522	998	" " 82520 with 156f, 50406d and 82521
98604	1360	Oil Box
82459	1333	" " Cover
82460	1329	" " " Hinge Pin
80106	1329	" " " Latch Spring
219f	1002	" " " " Screw
82462	1329	" " " " Washer
82463	...	" " Oil Pad (Cloth)
SS50f	1002	" " " " Screw
82462	1329	" " " " Washer
SS395f	1337	" " Stud Screw
SS42f	1337	" " " Set Screw
98605	1360	Oil Box, complete, Nos. SS42f, SS50f, 219f, 80106, 82459, 82460, 82463, 98604 and two 82462
98639	1742	Oscillating Rock Shaft with 98636, 98637, two each
98612	4000	" " " Hinge Pin
1513j	1003	" " " " Nut
SS531c	2001	" " " " Screw Bearing
1513j	1003	" " " " " Nut
98636	2001	" " " Steel Plate (bottom)
98637	2001	" " " " (top)
SS537c	2001	" " " " Binding Screw
1698c	2001	" " " " Lock Nut
98641		Oscillating Rock Shaft, complete, Nos. 1668c, 98611, 98627 and 98639
91171	881	Oscillating Shuttle Shaft
91172	996	" " " Crank with 453c and 1850
11663	1001	" " " " Pin
1850	1003	" " " " Roller and Stud
453c	1003	" " " " Set Screw
91808	1334	Presser Bar (with squared end)
91742	1001	Presser Bar Gripping Bracket
91743	1001	" " " " Block
91744	1001	" " " " Retaining Pin
91745	1001	" " " " Grip Lever
430a1	1003	" " " " Adjusting Screw
1520r	1003	" " " " " Nut
91587	1001	" " " " Hinge Pin
91746	997	" " " " Retaining Spring
1650c	1338	" " " " Lock Nut
NX21d	1338	" " " " Thumb Nut

From the library of: Diamond Needle Corp

No.	Plate	
91747	-	Presser Bar Gripping Bracket , complete, Nos. 430a, 4520r, 91587 and 91742 to 91745
91766	1000	Presser Bar Lifter
SS186d	1002	" " " " Hinge Screw
1518e	1003	" " " " " Nut
91767	997	" " " " Lifting Bracket with SS142c and 1259c
91696	1001	" " " " " Plate
190f	1002	" " " " " Binding Screw
1259c	1003	" " " " " Set Screw (front)
SS442c	1337	" " " " " " (side)
91768	-	" " " " " 91767 with 91696 and two 190f
91769	1000	" " " " " Cam
704e	1003	" " " " " Screw
SS355e	1003	" " " " " Screw Bushing
82430	998	" " " " " Spring (spiral)
8627	881	" " " " (flat) for Machine without Foot Lifter
91715	881	" " " " () " " fitted with Foot Lifter
1539d	1003	" " " " () Thumb Lock Nut
274d	1002	" " " " () " " Screw
91770	1000	Presser Foot
SS65f	1002	" " " " " Screw
95093	1467	Shuttle Bobbin
95094	1467	" " " " " Cylinder
91042	1467	" " " " " Hinge Pin
91043	1467	" " " " " Latch Spring
574d	1002	" " " " " " " Screw
98619	1694	" " " " " Frame
95095	1467	" " " " " Tension Spring
SS377f	1467	" " " " " Adjusting Screw
98622	1691	Shuttle (Cylinder), 2½" diam., complete, Nos. SS377f, SS574d, 91042, 91043, 95093 to 95095 and 98619
<i>No. 98622 can only be used with No. 98612 and not with old style Shuttle Drivers</i>		
98612	1712	Shuttle Driver and Feed Raising Cam
11663	1001	" " " " " Pin
<i>No. 98612 can only be used with No. 98622 and not with old style Shuttles.</i>		
91451	827	Shuttle Race (Cast Iron)
91315	996	" " " " " Cap Spring
SS218d	1002	" " " " " " " Screw
91452	827	" " " " " Cover
91775	996	" " " " " Ring
SS318e	1002	" " " " " Position Screw Stud (2)
91776	1004	Solution Box with 465a
91777	1004	" " " " " Cover
2117	1329	" " " " " Hinge Pin
80106	1329	" " " " " Latch Spring

No.	Plate	
219f	1002	Solution Box Cover Latch Spring Screw
82462	1329	" " " " " " " Washer
81622	-	" " " " " Thread Eyelet Rod
81150	-	" " " " " Wire
84151	1004	Solution Box Thread Eyelet , complete, Nos. 84150 and 81622
465a	1003	" " " " " Set Screw
91778	1004	" " " " " Guide
91779	1004	Solution Box , complete, Nos. 219f, 80106, 82462, 84151, 91776 to 91778 and two 2117
SS38c	1002	Solution Box Screw
SS391e	1003	Tension Screw Stud
1560d	1003	" " " " " Regulating Thumb Nut
82445	998	" " " " " Spring
82446	998	" " " " " Washer (Felt)
82447	998	" " " " " (Steel)
82448	998	" " " " " Wheel
91780	-	Tension , complete, Nos. SS391e, 1560d, 82445, 82448, two each 82446 and 82447
82450	997	Thread Eyelet
SS50f	1002	" " " " " Screw
91781	997	Thread Guard
201d	1002	" " " " " Screw
91794	1001	Thread Retainer
180f	1337	" " " " " Screw
91782	998	Thread Retaining Spring
1323f	1003	" " " " " Adjusting Screw
91783	998	" " " " " Plate
91784	998	" " " " " Position Pin
94849	1334	Thread Take-up Cam with SS320c and SS370c
SS320c	1002	" " " " " Set Screw
SS370c	1003	" " " " " Timing Screw
94850	-	" " " " " 94849 with 91769 and two 704c
91505	-	Thread Take-up Lever
SS22f	1002	" " " " " Hinge Screw
92814	999	" " " " " Roller
RR24	1003	" " " " " " and Stud
1519c	1338	" " " " " " " Nut
SS328c	1002	" " " " " " " Screw
91507	998	Thread Take-up Lever , complete, Nos. RR24, SS328c, 1519c, 91505 and 92814
91787	999	Thread Take-up Lever (Auxiliary)
SS384d	1003	" " " " " () Hinge Screw
1620c	1003	" " " " " () " " Nut
RR17	1003	" " " " " () Roller and Screw Stud

No.	Plate						
92814	999	Thread Take-up Lever (Auxiliary) Thread Roller
1217f	1003	" " " (") " " Screw
91788	1000	" " " (") " " Stud
91789	-	Thread Take-up Lever (Auxiliary), complete, Nos. 1217f, 91787, 91788 and 92814
91790	1001	Throat Plate
180f	1337	" " Screw (2)
91791	1001	" " Boot Sole Guide
207f	1002	" " " " " Screw
91653	1329	" " " " " Steady Pin (2)
91589	1330	" " Needle Guard
202f	1002	" " " " " Screw
91653	1329	" " " " " Steady Pin
91792	1001	Throat Plate , complete, Nos. 202f, 91589, 91790, 91791, two 207f and three 91653
91793	-	Work Plate
SS39d	1002	" " " " " Screw

NOTE:—No. 91793 is supplied only when specified on order and at an extra charge.

Heating Tube

NOTE:—This Heating Tube may be used on No. 45K68 Machine, but is only supplied when specified on order and is charged extra.

No.	Plate						
94991	1335	Heating Tube
91363	1329	" " Position Bracket (for arm, back)
91641	1000	" " " " " (" bed)
180f	1337	" " " " " Screw
91533h	1333	" " Lower Flame Guard Plate
180f	1337	" " " " " " " Screw
94980	-	Heating Tube , 94991, with 91363, 91533h, 91641 and five 180f

PARTS SPECIAL TO No. 45K69 MACHINE

Drop Feed, Cylinder Bed, Needle Bar Cam, Compound Take-up and High Lift. For Stitching Soles up to $\frac{5}{8}$ " in thickness. Has Throat Plate fitted with Knife for forming a Channel for the Lower Thread. Length of Stitch up to $\frac{1}{4}$ ".

Regularly furnished with Gas Heating Device for Hot Wax Stitching.

This machine is the same as No. 45K68, with the following exceptions:—

No.	Plate						
91629	1336	Balance Wheel , with two 434c (for use in conjunction with Column Stands Nos. 94546 and 94547)
95131	-	Face Plate , complete, Nos. 1761, 201d, 13231, 81351, 91761, 91780 to 91784 and 95132 to 95134
95101	1328	Feed Dog
94991	1335	Heating Tube
91363	1329	" " Position Bracket (for arm, back)
91641	1000	" " " " " (" bed)
180f	1337	" " " " " Screw
91533h	1333	" " Lower Flame Guard Plate
180f	1337	" " " " " " " Screw
94980	-	Heating Tube , 94991, with 91363, 91533h, 91641 and five 180f
98632	1744	Presser Foot
82551	1329	Thread Controlling Lever
95132	1330	" " " " " Spring	
95133	1330	" Guide for Tension
95134	1330	" " Thread Controlling Lever
1761	1002	" " " " " Screw	
95110	1328	Throat Plate
95111	1330	" " Channeling Knife (small)
95112	-	" " " " " (medium)	
95113	-	" " " " " (large)	
721f	1337	" " " " " Set Screw	
95114	1328	" " Packing	
180d	1337	" " " " " Screw	
180f	1337	" " " " " Screw	
38678	-	" " Steady Pin	
95115	-	Throat Plate , complete, Nos. 721f, 95110 to 95114 and two 180d

PARTS SPECIAL

TO

No. 45K71 MACHINE

(OBSOLETE)

**Drop Feed, Cylinder Bed, Needle Bar Cam, Compound Take-up, High
Lift and Climbing Presser. Fitted with Hand Attachment.
For Stitching Soles up to $\frac{3}{8}$ " in thickness.**

This machine is the same as No. 45K68, with the following exceptions:

No.	Plate	
*95171		Arm with 446c, 82499 and 82549
95172		Balance Wheel (three speed) with two 434c
95173	1332	" " Gear
143e	1337	" " Screw
95174		Balance Wheel , complete, Nos. 95172, 95173 and three 143e
*95175		Bed
95176	1328	Hand Attachment Bevel Pinion
2117	1329	" " " " Pin
95177	1328	" " " " Shaft
95178	1328	" " " " Bushing
1299c	1337	" " " " Set Screw (2)
95179	1332	" " Frame with four 1299c
95180	1332	" " Gear Guard
966e	1337	" " " Screw (2)
81865	1336	" " Hand Wheel with two 434c
81866	1334	" " " Handle (Wood)
SS135d	1337	" " " " Spindle
1519d	1338	" " " " Nut
434c	1003	" " " Set Screw
SS38e	1002	" " Screw (2)
1299c	1337	" " Set Screw (2)
95181	1332	Solution Box with 465a
95182	—	Solution Box , complete, Nos. 219f, 80106, 82462, 84451, 91777, 91778, 95181 and two 2117
2117	1329	Solution Box Dowel Pin

Accessories

No.	Plate	
86246	1334	Gauge (for grooving the channel in boot soles) for 45K68 and 45K71 Machines
		Instruction Book
51077e	996	Machine Bolt with 1524e (3" x $\frac{1}{4}$) (4)
1524e	1338	" " Nut
6055	996	" " " Washer (4)
		Needles (6)
120342	1600	Order
86614	1600	Screw Driver (large)
120378	1000	" " (small)
95093	1260	Shuttle Bobbin (2)
8908	1331	Wrench

Bobbin Winder (Eccentric)

FOR 45K68 MACHINE

No.	Plate	
80817		Eccentric
SS469d	1002	" Thumb Screw
82470	1004	Frame
SS56d	1002	" Screw
5960	1331	Friction Wheel (Leather)
5961	1331	" " Washer
333r	1002	" " Screw
82471	1004	Spindle
5963	1331	" Flange
82473	1004	Bobbin Winder , complete, Nos. SS56d, 333r, SS469d, 5960, 5961, 5963, 80817, 82470 and 82471

From the library of: Diamond Needle Corp

Bobbin Winder

FOR 45K69 MACHINE

No.	Plate	
95116	1335	Base
95117	1330	Bobbin Position Pin
95118		Hand Wheel with 448c
8380	1334	" " Handle (Wood)
11762	1330	" " " Stud
8382	1000	" " " " Washer
11761		" " " complete, Nos. 8380, 8382 and 11762
448c	1003	" " Set Screw
95155	1335	Hand Wheel, complete, Nos. 11761 and 95118
58826	1330	Heater (Brass)
58827	1330	" Pipe (Brass)
---	---	Screw (Wood), 1 $\frac{1}{4}$ " No. 14 (for fixing to table)
58829	1329	Spindle
457c	1337	" Set Screw
95119	1334	" Shaft with 457c and 95117
95120	1335	" " Bracket
1396e	1337	" " " Screw
58835	1334	Threading Wire
95121	1335	Wax Box
95166	1335	" " Cover (for Water Container)
1396e	1337	" " Screw
95122	1335	" " Tension Bracket
58800	1330	" " " " Roller
1042c	1337	" " " " " Screw
95123	1334	" " " " Thread Retaining Spring
2269	1329	" " " " " " " Steady Pin
50053d	1002	" " " " " " " Thumb Screw
58833	1330	" " " " " " Stripper (Rubber)
50310e	1337	" " " " " " Regulating Screw
771d	1337	" " " " " Thumb Screw
95124	---	Bobbin Winder , complete, Nos. 1042c, 2269, 50053d, 50310e, 58800, 58826, 58827, 58829, 58833, 58835, 95116, 95119 to 95123, 95155, 95166, two 771d, six 1396e and two Wood Screws, 1 $\frac{1}{4}$ " No. 14

Bobbin Winder

FOR 45K69 MACHINE ON COLUMN STAND

This Bobbin Winder is the same as No. 95124, with the following exceptions: -

No.	Plate	
95089		Base
371e	1337	Screw (for attaching to Column Stand)
95090		Bobbin Winder , complete, Nos. 1042c, 2269, 50053d, 50310e, 58800, 58826, 58827, 58829, 58833, 58835, 95089, 95119 to 95123, 95155, 95166, two each 371e, 771d and six 1396e
95092		Bobbin Winder and Thread Unwinder , complete, Nos. 95090 and 95091

Bobbin Winder and Spirit Heater

FOR 45K69 MACHINE

No.	Plate								
95156		Base
95117	1330	Bobbin Position Pin
95118	—	Hand Wheel with 448c
8380	1334	" " Handle (Wood)
11762	1330	" " " Stud
8382	1000	" " " " Washer
11761	—	" " " complete, Nos. 8380, 8382 and 11762
448c	1003	" " Set Screw
95155	1335	Hand Wheel, complete, Nos. 11761 and 95118
—	—	Screw (Wood), 1 1/2" No. 11 (for fixing to Table)
58829	1329	Spindle
457c	1337	" Set Screw
95119	1334	" Shaft with 457c and 95117
95157	—	" " Bracket
1396e	1337	" " " Screw
95158	1360	Spirit Box with 91636
95185	1360	" " Cover with 91634
69d	1337	" " " Hinge Screw
91634	1333	" " " Knob
91635	1329	" " " Latch Spring
91636	1329	" " " " " Position Pin
219f	1002	" " " " " Screw
82462	1329	" " " " " Washer
95159	1360	Spirit Box, complete, Nos. 69d, 219f, 82462, 91635, 95158 and 95185
180d	1337	" " Screw
95160	1335	" " Tube
1664e	1338	" " " Lock Nut
91363	1329	" " " Position Bracket
180f	1337	" " " " " Screw
95161	1359	" " " Burner Tube
95162	1359	" " " " " Bracket
SS45e	1002	" " " " " " Screw
95163	1359	" " " " " Thimble
95164	—	" " " " " Wick
95165	—	Spirit Box Tube, complete, Nos. 180f, 91363, 95160 to 95164 and two 1664e
58835	1334	Threading Wire
95121	1335	Wax Box
95166	1335	" " Cover (for Water Container)
50263c	1337	" " Screw
95167	1335	" " Support

No.	Plate								
95122	1335	Wax Box Tension Bracket
58800	1330	" " " " Roller
1042c	1337	" " " " " Screw
95123	1334	" " " " " Thread Retaining Spring
2269	1329	" " " " " " " " Steady Pin
50053d	1002	" " " " " " " " Thumb
—	—	—	Screw
58833	1330	" " " " " " Stripper (Rubber)
50310e	1337	" " " " " " " " Regulating Screw
—	—	—	Stud
771d	1337	" " " " " Thumb Screw
95168	—	Bobbin Winder and Spirit Heater, complete, Nos. 1042c, 2269, 50053d, 50310e, 58800, 58829, 58833, 58835, 95119, 95121 to 95123, 95155 to 59157, 95159, 95165, 95166, two each SS45e, 180d, 771d, three each 1396e, 50263c, 95167 and two Wood Screws 1 1/2" No. 11

Bobbin Winder and Spirit Heater

FOR 45K69 MACHINE ON COLUMN STAND

This Bobbin Winder is the same as No. 95168 with the following exceptions:

No.	Plate								
95169		Base
371e	1337	Screw (for attaching to Column Stand)
95170		Bobbin Winder and Spirit Heater, complete, Nos. 1042c, 2269, 50053d, 50310e, 58800, 58829, 58833, 58835, 95119, 95121 to 95123, 95155, 95157, 95159, 95165, 95166, 95169, two each SS45e, 180d, 371e, 771d, three each 1396e, 50263c and 95167
95184		Bobbin Winder, Spirit Heater and Thread Unwinder, complete, Nos. 95091 and 95170

Bobbin Winder (Friction)

FOR 45K71 MACHINE

No.	Plate	
91719		Frame
32d	1337	" Hinge Screw
5960	1331	Friction Wheel (Leather)
5961	1331	" " Washer
333r	1002	" " " Screw
91446		Spindle with 15072
15072	1000	" Bobbin Position Pin
5963	1331	" Flange
91725	1333	Frame, complete, Nos. 333r, 5960, 5961, 5963, 91446 and 91719
82537	1329	Spring
161d	1337	" Screw
82538	1329	" " Washer
95183	---	Bobbin Winder , complete, Nos. 32d, 161d, 82537, 82538 and 91725

Spirit Box and Tube

FOR HEATING THE SHUTTLE

FOR 45K68 and 45K69 MACHINES

No.	Plate	
91632	1333	Spirit Box with 91636
91633	1333	" " Cover with 91634
69d	1337	" " " Hinge Screw
91634	1333	" " " Knob
91635	1329	" " " Latch Spring
91636	1329	" " " " " Position Pin
219f	1002	" " " " " Screw
82462	1329	" " " " " Washer
91637	1333	Spirit Box , complete, Nos. 69d, 219f, 82462, 91632, 91633 and 91635
180d	1337	Spirit Box Screw
91638	1333	" " Tube
91032		" " " Wick
1662e	1338	" " " Lock Nut
91641	1000	" " " Position Bracket
180f	1337	" " " " " Screw
91640	1000	" " " Stop Bracket with 175f
175f	1000	" " " " " Clamping Screw
91639	1333	" " " Thimble
91642	---	Spirit Box Tube , complete, Nos. 1662e, 91032, 91638 to 91641 and two 180f
91643	---	Spirit Box and Tube , complete, Nos. 91637 and 91642

Thread Unwinder

FOR 45K69 MACHINE

No.	Plate	
27623	1336	Spool Pin
84148	1336	" Rest with 448c
95126	1336	" Weight, 4" diam. <i>(only supplied when specified on order)</i>
27625	1336	Thread Eyelet Rod
448c	1003	" " " Set Screw
27626	1336	" " Wire
27627	—	Thread Eyelet, complete, Nos. 27625 and 27626
—	—	Screw (Wood), 1½" No. 10 (for fixing to Table)
95125	1336	Thread Unwinder , complete, Nos. 27623, 27627, 84148 and two Wood Screws 1½" No. 10

Thread Unwinder

FOR 45K69 MACHINE ON COLUMN STAND

This Thread Unwinder is the same as No. 95125, with the following exceptions:—

No.	Plate	
51071e	1002	Screw (for attaching to Column Stand)
95091	—	Thread Unwinder , complete, Nos. 27623, 27627, 84148 and two 51071e

Foot Lifter

No.	Plate	
91716	1333	Arm Lever
691d	1337	" " Hinge Screw
91457	755	Foot Lever with 176c
91459	755	" " Bracket
17881	755	" " " Hinge Pin
—	—	" " " Wood Screw 1" No. 12
91458	755	" " Extension
176c	1002	" " " Set Screw
98626	755	" " Spring
91451	—	Foot Lever only, complete, Nos. 17881, 91457, to 91459, 98626 and two Wood Screws 1" No. 12
91453	755	Foot Lever Pitman Connecting Hook (7" long)
17877	755	" " " Rod (lower)
17878	755	" " " " (upper)
17879	755	" " " " Clamp with two 161d
161d	1337	" " " " " Screw
17880	755	Foot Lever Pitman Rod, complete, Nos. 17877 to 17879
91455	—	Foot Lever, complete, Nos. 17880 and 91451
91456	—	Foot Lifter , complete, Nos. 691d, 91453, 91455 and 91716

Driving Attachment

FOR 45K69 MACHINE

No.	Plate	
91473	861	Balance Wheel with 434c, 451c, 91475 and four 402c
434c	1003	" " Set Screw (long)
451c	1337	" " " " (short)
91474	861	" " Friction Pulley (two-speed) with 448c and 91294
448c	1003	" " " " Set Screw
91294	861	" " " " Centre Bearing
91475	861	" " " " Ring (Cardboard)
402c	1337	" " " " " Screw
91296	755	Starting Lever
91297	755	" " Bracket
91298	1330	" " " " Hinge Pin
—	—	" " " " Wood Screw 1½" No. 15
91299	755	Starting Lever, Nos. 91296 to 91298 and three Wood Screws 1½" No. 15
17877	755	Starting Lever Pitman Rod (lower)
17878	755	" " " " (upper)
17879	755	" " " " Clamp with two 161d
161d	1337	" " " " " Screw
17880	755	Starting Lever Pitman Rod, complete, Nos. 17877 to 17879
91460	—	Starting Lever and Pitman, complete, Nos. 17880 and 91299
84275	—	Shaft Pulley (sectional, grooved), 10" diam., with two 597c
597c	1337	" " Clamping Screw
91301	861	Lever with 7958 and 91306
91302	861	" " Bracket
SS38c	1002	" " Screw
91303	861	" " Centre Plug (Wood)
427c	1337	" " " " Adjusting screw
1508e	1338	" " " " " " Nut
91306	—	" " Friction Pad (Leather)
693d	1337	" " Hinge Screw
NN28c	1338	" " " " Nut
91307	861	" " Spring
161d	1337	" " " " Screw
7958	1000	" " " " Pin
91309	—	Lever, complete, Nos. NN28c, 161d, 427c, 693d, 1508e, 91301 to 91303, 91307 and two SS38c
91478	—	Driving Attachment , complete, 84275, 91309, 91460, 91473 and 91474

Obsolete Parts

No.	Plate	
91440	996	Oscillating Rock Shaft with 91025, 94972 and two 91026

FOR COMPLETE SHUTTLE No. 91774

No.	Plate	
91771	999	Shuttle Cylinder
91772	999	" " Frame
91795	999	" " Tension Spring

FOR COMPLETE SHUTTLE No. 95084

No.	Plate	
91040	999	Shuttle Bobbin
95080	1260	" " Cylinder
95081	1260	" " " " Latch Spring
220f	1337	" " " " " Screw
95082	1260	" " Frame
95083	1260	" " Tension Spring

95186	1467	Shuttle Frame for 95096
95096	1467	Shuttle (Cylinder) 2½" diam., complete, Nos. 233f, SS377f, 91042, 91043, 95093 to 95095 and 95186
91748	999	Shuttle Driver and Feed Raising Cam